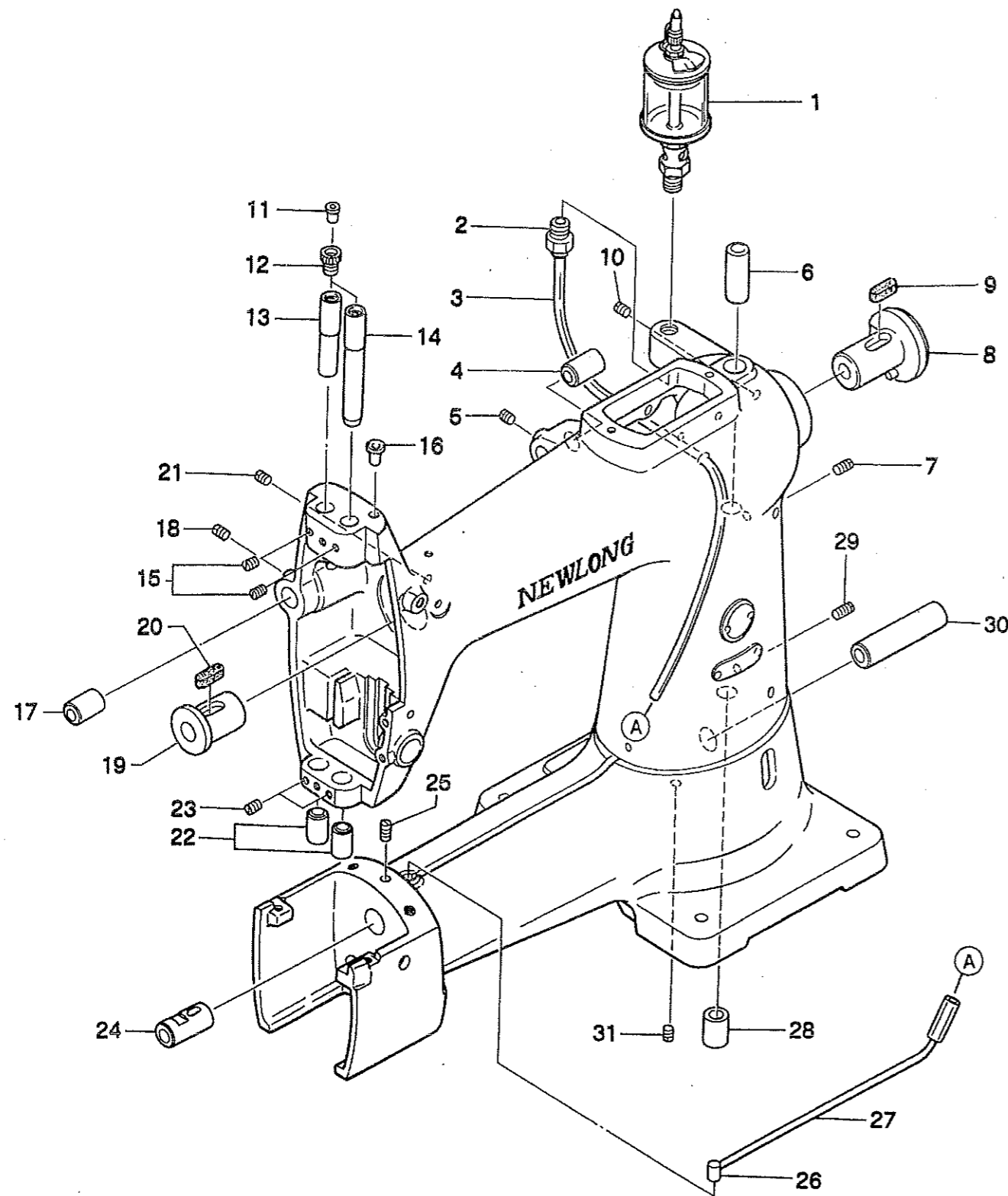


01 MAIN FRAME, BUSHING & OILING PARTS

本体・軸受、給油関係



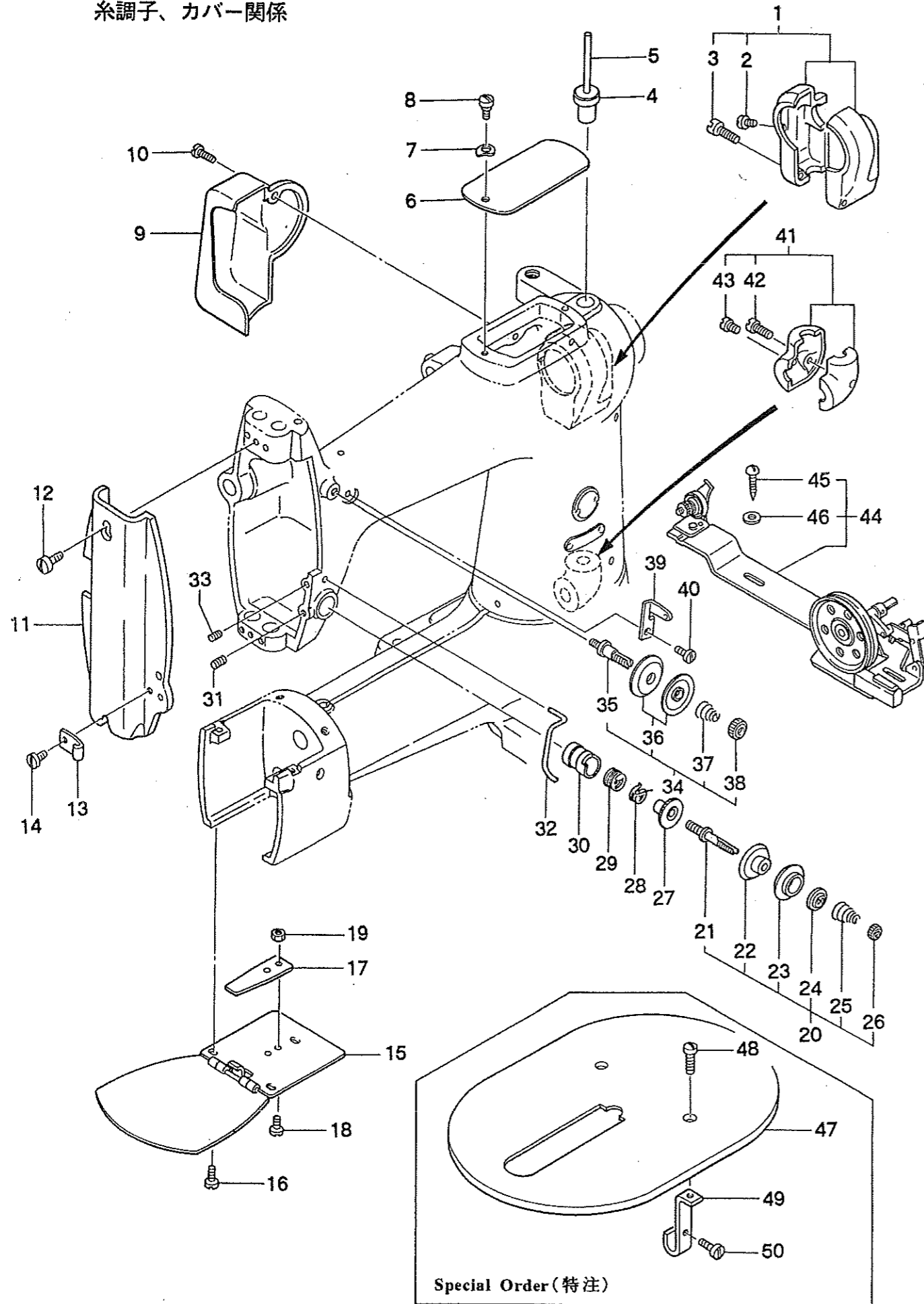
01 MAIN FRAME, BUSHING & OILING PARTS

本体・軸受、給油関係

図番 Ref. No.	部品番号 Part No.	部品名称 Description	個数 Q'ty	摘要 Remarks
1	D03002	Oiler	1	
2	D07046	Tube Fitting (PC4-02)	1	
3	175292	Oil Tube	1	
4	172381	Presser Lifter Shaft Bushing, rear	1	
5	15/64S28513	Screw for 172381	1	
6	172021	Connecting Shaft	1	
7	15/64S28520	Connecting Shaft	1	
8	171041	Arm Shaft Bushing, rear	1	
9	175311	Oil Felt	1	
10	15/64S28515	Screw for 171041	1	
11	D01001	Ball Cup	2	
12	172161	Cup Screw	2	
13	172241	Presser Bar Bushing, upper	1	
14	172151	Needle Bar Bushing, upper	1	
15	15/64S28512	Screw for 172151,172241	2	
16	015201	Oil Tube	1	
17	172391	Presser Lifter Shaft Bushing, front	1	
18	15/64S28513	Screw for 172391	1	
19	171051	Arm Shaft Bushing, front	1	
20	175321	Oil Felt	1	
21	15/64S28516	Screw for 171051	1	
22	172171	Needle Bar and Presser Bar Bushing, Lower	2	(針棒ブッシュ下 押エ棒ブッシュ下共通)
23	15/64S28512	Screw for 172171	2	
24	171071	Lower Shaft Bushing, front	1	
25	15/64S28513	Screw for 171071	1	
26	175082	Oil Tube	1	
27	175072	Oil Tube	1	
28	172031	Connecting Shaft Bushing, lower	1	
29	15/64S28520	Screw for 172031	1	
30	171061	Lower Shaft Bushing, rear	1	
31	15/64S28513	Screw for 171061	1	

02 THREAD TENSION & COVER PARTS

糸調子、カバー関係



02 THREAD TENSION & COVER PARTS

糸調子、カバー関係

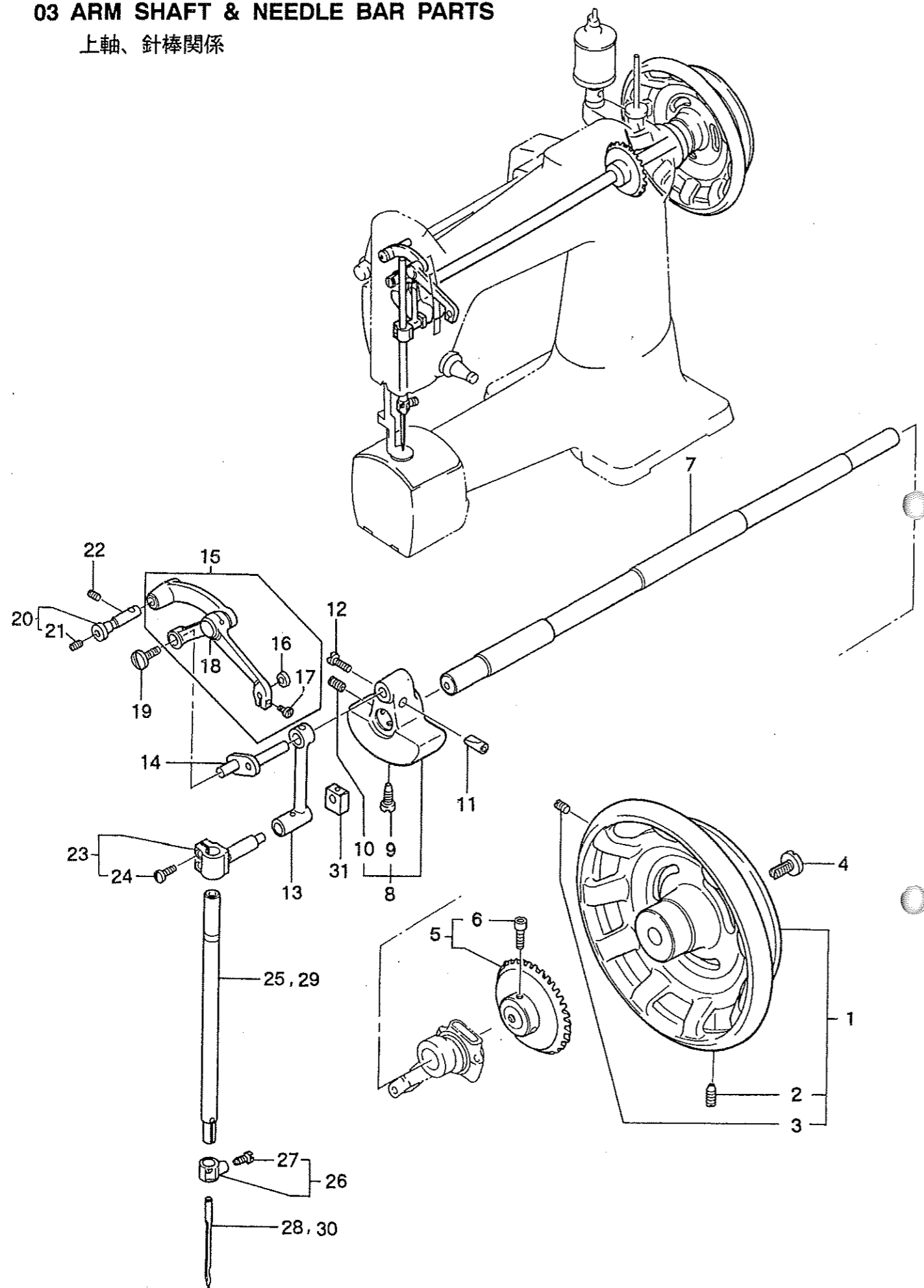
図番 Ref. No.	部品番号 Part No.	部品名称 Description	個数 Q'ty	摘要 Remarks
1	174091	Bevel Gear Cover, upper	1	(2, 3)
2	1/4S28001	Screw	1	
3	9/32S20001	Screw	1	
4	174121	Thread Stand Base	1	
5	174111	Thread Stand Pole	1	
6	174061	Top Cover	1	
7	1/4W05201	Spring Washer for 174061	1	
8	3/16S32021	Screw for 174061	1	
9	174081	Side Cover	1	
10	9/64S40035	Screw for 174081	1	
11	174021	Face Cover	1	
12	15/64S28002	Screw for 174021	2	
13	154192	Front Cover Thread Guide	1	
14	9/64S40005	Screw for 154192	1	
15	174043	Rotating Hook Cover Plate	1	
16	9/64S40005	Screw for 174043	3	
17	174051	Shuttle Race Cover Spring	1	
18	9/64S40052	Screw for 174051	2	
19	9/64N40101	Nut for 174051	2	
20	174301 A	Thread Tension Ass'y	1	(21~26)
21	174301	Tension Post	1	
22	174311	Tension Disc A	1	
23	174321	Tension Disc B	1	
24	174331	Tension Releasing Disc	1	
25	154161	Tension Spring	1	
26	174181	Tension Nut	1	
27	174291	Tension Spring, Presser	1	
28	174281	Tension Spring, Inside	1	
29	174271	Tension Spring, Outside	1	
30	174261	Thread Take-up Spring Regulator	1	
31	15/64S28515	Screw for 174261	1	
32	174231	Needle Clamp Thread Guide	1	
33	11/64S40503	Screw for 174231	1	
34	174191 A	Thread Tension Ass'y	1	(35~38)
35	174191	Tension Post	1	
36	174201	Tension Disc	2	
37	174171	Tension Spring	1	
38	174181	Tension Nut	1	
39	174221	Thread Retainer Thread Eyelet	1	
40	9/64S40005	Screw for 174221	1	
41	174101	Bevel Gear Cover, lower	1	(42, 43)
42	9/32S20001	Screw	1	
43	1/4S28001	Screw	1	
44	G03001	Bobbin Winder	1	(45, 46)
45	11S4. 5x25-B	Screw	2	
46	2W5	Washer	2	
47	175241	Work Plate	(1)	*
48	15/64S28002	Screw for 175241	(2)	*
49	175252	Work Plate Bracket	(2)	*
50	15/64S28021	Screw for 175252	(2)	*

Special Order (特注)

* Special Order (特注)

03 ARM SHAFT & NEEDLE BAR PARTS

上軸、針棒関係



03 ARM SHAFT & NEEDLE BAR PARTS

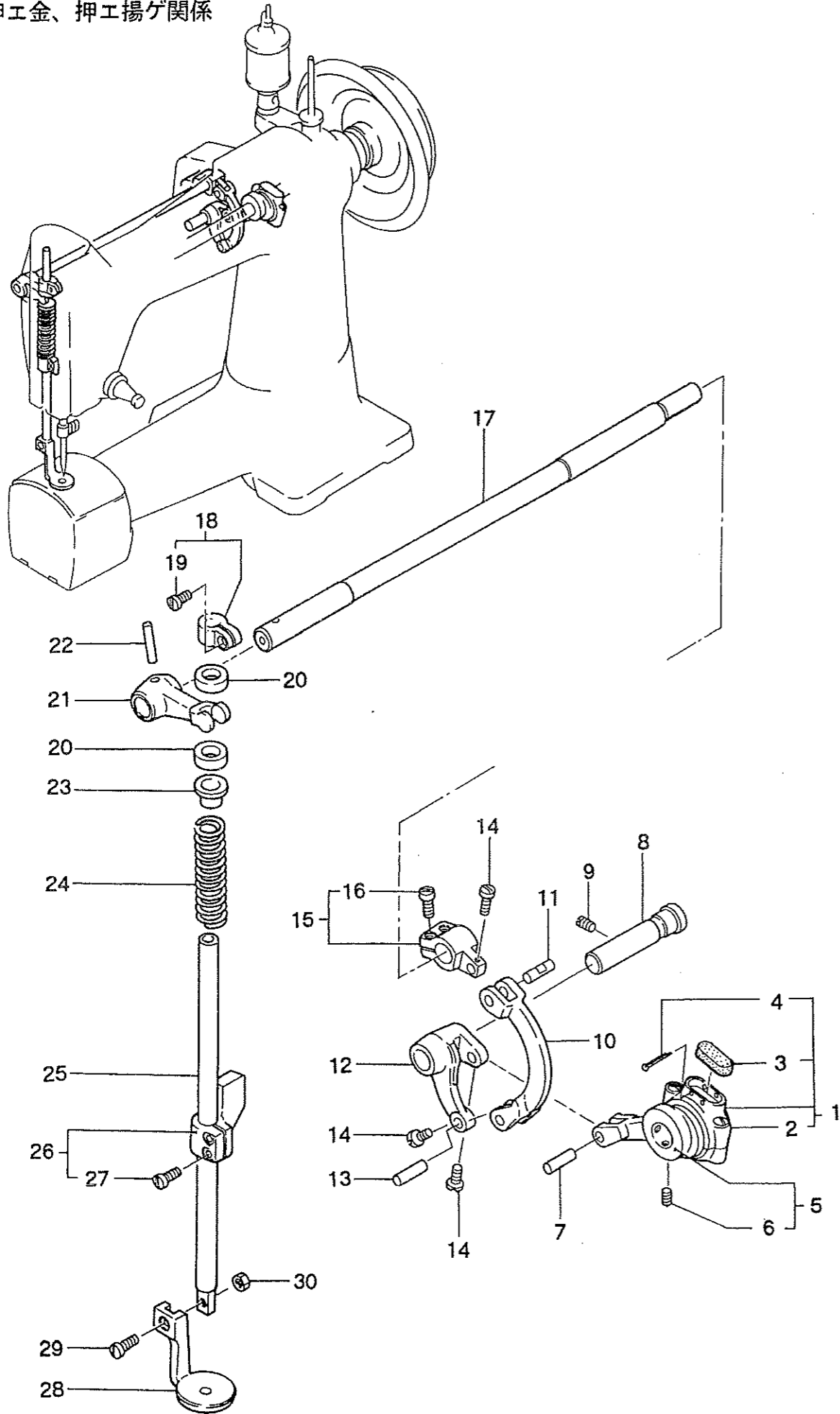
上軸、針棒関係

図番 Ref. No.	部品番号 Part No.	部品名称 Description	個数 Q'ty	摘要 Remarks
1	171081	Pulley	1	(2, 3)
2	5/16S24501	Screw for 171081	1	
3	5/16S24502	Screw for 171081	1	
4	5/16S24003	Screw	1	
5	171091	Bevel Gear, upper	1	(6)
6	1/4S40011	Screw for 171091	3	
7	171031	Arm Shaft	1	
8	172071	Needle Bar Crank	1	(9, 10)
9	9/32S28017	Screw	1	
10	5/16S40501	Screw	1	
11	172081	Cotter Pin	1	
12	3/16S32018	Screw for 172081	1	
13	172101	Needle Bar Connecting Link	1	
14	172091	Thread Take-up Crank	1	
15	172181A	Needle Thread Take-up Ass'y	1	(16~18)
16	172201	Eyelet	1	
17	3/32S56009	Screw for 172201	1	
18	172211	Stopper Pin	1	
19	11/64S40039	Screw (Left-handed Thread)	1	
20	172221	Needle Thread Take-up Pin	1	(21)
21	11/64S40501	Screw	2	
22	15/64S28516	Screw for 172221	1	
23	172111	Needle Bar Connecting Stud	1	(24)
24	3/16S32011	Screw for 172111	2	
25	172132	Needle Bar	1	
26	172141	Needle Clamp Stud	1	(27)
27	15/64S28001	Screw for 172141	1	
28	B12002	Needle(216×7-280)	1	
	B12001	Needle(216×7-300)	(1)	*
29	172131	Needle Bar for Needle DDX1	(1)	*
30	B04001	Needle(DD×1 #25)	(1)	*
31	172121	Slide Block	1	

* Special Order (特注)

04 PRESSER FOOT & LIFTER PARTS

押エ金、押エ揚ゲ関係



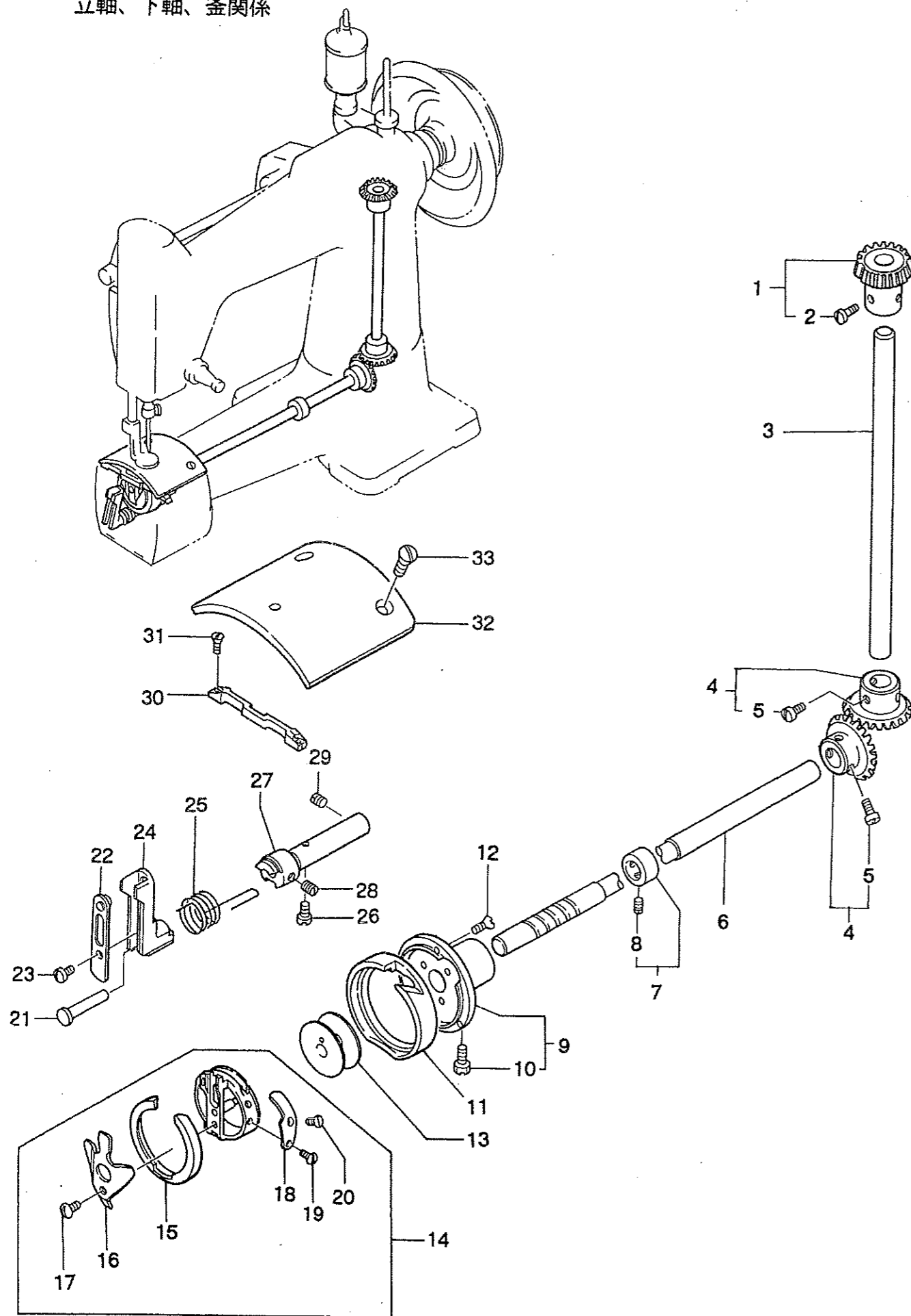
04 PRESSER FOOT & LIFTER PARTS

押エ金、押エ揚ゲ関係

図番 Ref. No.	部品番号 Part No.	部品名称 Description	個数 Q'ty	摘要 Remarks
1	172321	Connecting Rod	1	(2~4)
2	3/16S28030	Screw	2	
3	035601	Oil Felt	1	
4	3P1×20	Split Pin	2	
5	172311	Lifting Presser Bar Eccentric	1	(6)
6	15/64S28513	Screw for 172311	2	
7	172341	Pin	1	
8	172351	Lower Shaft Crank Pin	1	
9	15/64S28513	Screw for 172351	1	
10	172371	Rod	1	
11	172341	Pin	1	
12	172331	Lower Shaft Crank	1	
13	172341	Pin	1	
14	11/64S40005	Screw for 172341	3	
15	172361	Fulcrum	1	(16)
16	3/16S28005	Screw for 172361	2	
17	172411	Presser Lifter Shaft	1	
18	172251	Presser Bar Spring Adjuster	1	(19)
19	3/16S32031	Screw for 172251	1	
20	172261	Washer	2	
21	172401	Presser Lifter Lever	1	
22	1P4×25	Taper Pin	1	
23	172291	Ferrule	1	
24	172271	Presser Bar Spring	1	
25	172231	Presser Bar	1	
26	172281	Presser Bar Lifting Bracket	1	(27)
27	3/16S32011	Screw for 172281	2	
28	172301	Presser Foot	1	
29	11/64S40010	Screw for 172301	1	
30	11/64N40102	Nut for 172301	1	

05 CONNECTING SHAFT, LOWER SHAFT & SHUTTLE PARTS

立軸、下軸、釜関係



05 CONNECTING SHAFT, LOWER SHAFT & SHUTTLE PARTS

立軸、下軸、釜関係

図番 Ref. No.	部品番号 Part No.	部品名称 Description	個数 Q'ty	摘要 Remarks
1	171101	Bevel Gear Pinion	1	(2)
2	1/4S40008	Screw for 171101	3	
3	172011	Connecting Shaft	1	
4	172041	Bevel Gear, lower	2	(5)
5	1/4S40008	Screw for 172041	6	
6	172051	Lower Shaft	1	
7	172061	Lower Shaft Collar	1	(8)
8	1/4S40501	Screw for 172061	2	
9	173011	Shuttle Race Cylinder	1	(10)
10	1/4S40006	Screw for 173011	3	
11	G02004	Shuttle Race	1	
12	9/64S40026	Screw for G02004	3	
13	G01002	Bobbin	1	
14	G02002	Shuttle Hook Ass'y	1	(15~20)
15	G02003	Shuttle Body Ring	1	
16	G02006	Bobbin Case Ring Spring	1	
17	9/64S40024	Screw for G02006	1	
18	G02005	Bobbin Case Tension Spring	1	
19	3/32S56005	Screw for G02005	1	
20	1/8S64001	Screw for G02005	1	
21	173091	Pin	1	
22	173121A	Plate Spring	1	
23	9/64S40004	Screw for 173121A	1	
24	173101	Shuttle Hook Bracket	1	
25	173111	Spring	1	
26	11/64S40045	Screw for 173111	1	
27	173081	Shaft	1	
28	7/32S32502	Screw for 173091	1	
29	15/64S28516	Screw for 173081	2	
30	173071	Throat Plate Fitting	1	
31	1/8S44011	Screw for 173071	2	
32	174011	Throat Plate	1	
33	15/64S28028	Screw for 174011	2	

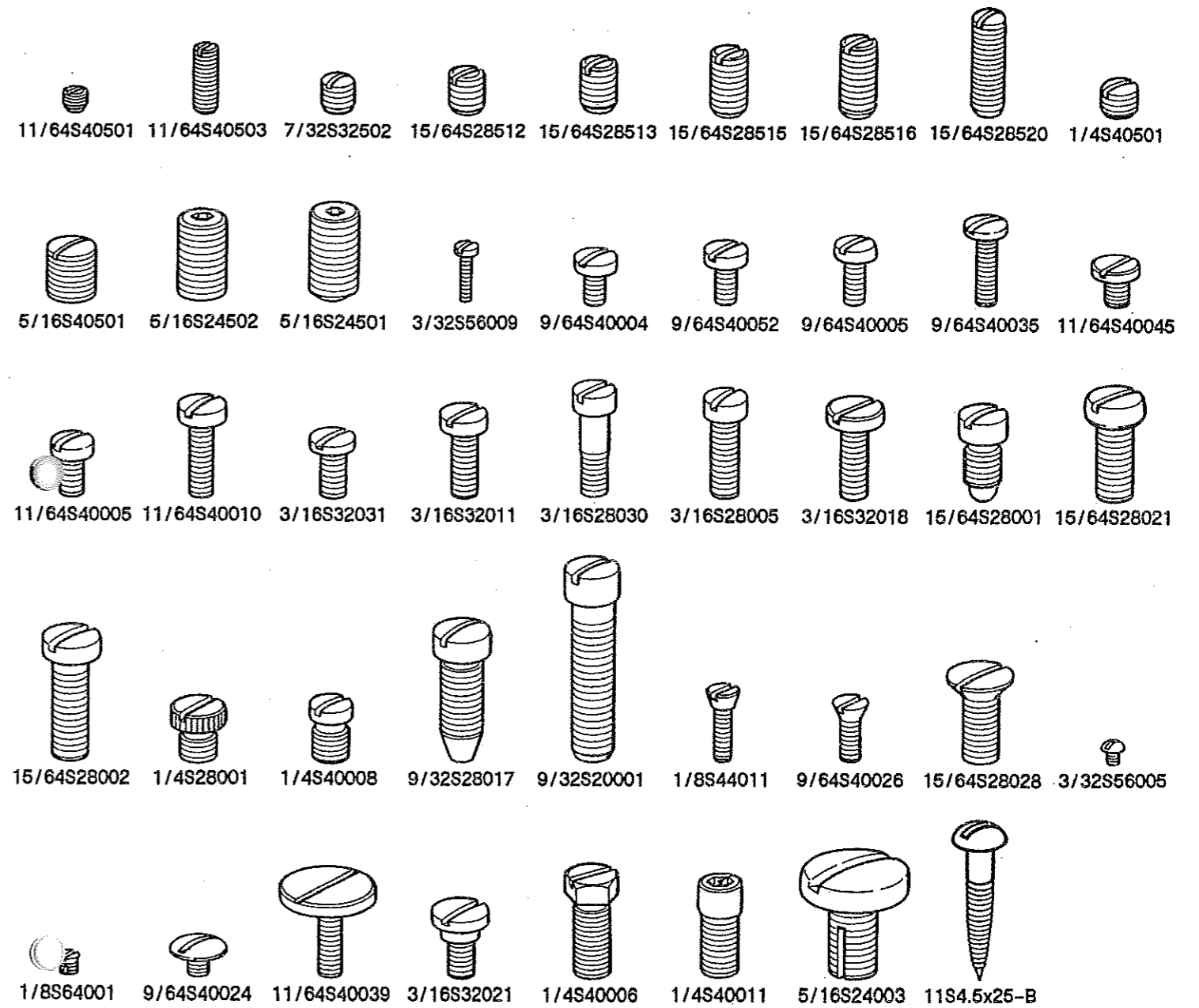
NUMERICAL INDEX OF PARTS
 パーツ索引

PART NO.	PAGE	PART NO.	PAGE	PART NO.	PAGE	PART NO.	PAGE
015201	11-16	172381	11-4	SCREW (ネジ類)		NUT (ナット類)	
035601	17-3	172391	11-17				
154161	13-25	172401	17-21	3/32S56005	19-19	9/64N40101	13-19
154192	13-13	172411	17-17	3/32S56009	15-17	11/64N40102	17-30
171031	15-7	173011	19-9	1/8S44011	19-31		
						WASHER (ワッシャー類)	
171041	11-8	173071	19-30	1/8S64001	19-20		
171051	11-19	173081	19-27	9/64S40004	19-23	1/4W05201	13-7
171061	11-30	173091	19-21	9/64S40005	13-14,13-16	2W5	13-46
171071	11-24	173101	19-24			OTHER PARTS (その他)	
171081	15-1	173111	19-25	9/64S40024	19-17	B04001	15-30
						B12001	15-28
171091	15-5	173121A	19-22	9/64S40026	19-12	B12002	15-28
171101	19-1	174011	19-32	9/64S40035	13-10	D01001	11-11
172011	19-3	174021	13-11	9/64S40052	13-18	D03002	11-1
172021	11-6	174031	13-15	11/64S40005	17-14	D07046	11-2
172031	11-28	174051	13-17	11/64S40010	17-29	G01002	19-13
						G02002	19-14
172041	19-4	174061	13-6	11/64S40039	15-19	G02003	19-15
172051	19-6	174081	13-9	11/64S40045	19-26	G02004	19-11
172061	19-7	174091	13-1	11/64S40501	15-21	G02005	19-18
172071	15-8	174101	13-41	11/64S40503	13-33	G02006	19-16
172081	15-11	174111	13-5	3/16S28005	17-16	G03001	13-44
172091	15-14	174121	13-4	3/16S28030	17-2	1P4x25	17-22
172101	15-13	174171	13-37	3/16S32011	15-24,17-27	3P1x20	17-4
172111	15-23	174181	13-26,13-38	3/16S32018	15-12		
172121	15-31	174191A	13-34	3/16S32021	13-8		
172131	15-29	174191	13-35	3/16S32031	17-19		
172132	15-25	174201	13-36	7/32S32502	19-28		
172141	15-26	174221	13-39	15/64S28001	15-27		
172151	11-14	174231	13-32	15/64S28002	13-12,13-48		
172161	11-12	174261	13-30	15/64S28021	13-50		
172171	11-22	174271	13-29	15/64S28028	19-33		
172181A	15-15	174281	13-28	15/64S28512	11-15,11-23		
172201	15-16	174291	13-27	15/64S28513	11-5,11-18		
172211	15-18	174301A	13-20		11-25,11-31		
172221	15-20	174301	13-21		17-6,17-9		
172231	17-25	174311	13-22	15/64S28515	11-10,13-31		
172241	11-13	174321	13-23	15/64S28516	11-21,15-22		
172251	17-18	174331	13-24		19-29		
172261	17-20	175072	11-27	15/64S28520	11-7,11-29		
172271	17-24	175082	11-26	1/4S28001	13-2,13-43		
172281	17-26	175241	13-47	1/4S40006	19-10		
172291	17-23	175252	13-49	1/4S40008	19-2,19-5		
172301	17-28	175292	11-3	1/4S40011	15-6		
172311	17-5	175311	11-9	1/4S40501	19-8		
172321	17-1	175321	11-20	9/32S20001	13-3,13-42		
172331	17-12			9/32S28017	15-9		
172341	17-7,17-11			5/16S24003	15-4		
	17-13			5/16S24501	15-2		
172351	17-8			5/16S24502	15-3		
172361	17-15			5/16S40501	15-10		
172371	17-10			11S4.5x25-B	13-45		

DD-5

SCREW (ネジ)

FULL SIZE (原寸)



NUT & WASHER (ナット, ワッシャー)

FULL SIZE (原寸)

