

CONSEW *Since 1898*®

CONSOLIDATED SEWING MACHINE CORP.

— INDUSTRIAL SEWING & CUTTING EQUIPMENT

**OPERATING
INSTRUCTIONS**

&

PARTS LIST

3421UX5-2

CONSEW *Since 1898*®

CONSOLIDATED SEWING MACHINE CORP.

— INDUSTRIAL SEWING & CUTTING EQUIPMENT

400 VETERANS BLVD, CARLSTADT, NJ 07072

CONTENTS

Operation instruction

1.Brief introduction.....	1
2.Main specification.....	1
3.Preparation.....	1
4.Lubrication.....	2
5.Trial run.....	2
6.Installing the needle.....	3
7.Coordination between needle, thread and sewing material.....	3
8.Adjustment of thread tension.....	3
9.Threading	4
10.Adjusting the stitch length.....	4
11.Adjusting the thread take-up of needle thread	5
12.Adjusting the thread tak-up of looper thread	5
13.Adjusting the thread releasing.....	5
14.Setting the needle safe bracket.....	6
15.The position of needle and thread finger.....	6
16.The position of looper and thread finger.....	6
17.Setting the position of fork needle.....	7
18.Timing adjusting for fork needle.....	7
19.Timing adjusting of feed dog.....	8

Parts Manual

1.Arm and bed.....	9-10
2.Needle Bar, Presser foot Part	11-12
3.Needle bar moving, presser foot lifting bar.....	13-14
4.Lower shaft part	15-16
5.Low feed, looper Part.....	17-18
6.Fork needle swing shaft part	19-20
7.Preaser bar, pressure cylinder part.....	21-22
8.Threading	23-24
9.Face plate	25-26
10.Base cover part.....	27-28
11. Accessories.....	29-30

Operation instruction

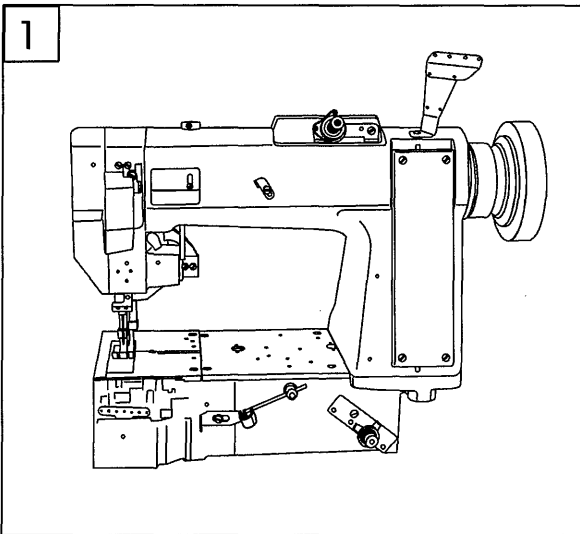
1. Brief introduction

It's high speed compound feed chainstitch sewing machine. It's suitable for sewing medium and heavy duty.

Special for sewing bed cushion, car upholstery, furniture, and etc

2. Main specifications

Application	Medium and heavy duty
Max. sewing speed	3000 spm
Max. stitch length	8 mm
Needle bar stroke	36.5 mm
Presser foot lifter	13 mm
Needle	DV×59 23#
Lubrication	Oil by hand
Motor	370W For sewing machine



3. Preparation (Fig. 1)

1. Cleaning the machine

Before delivery, the machine parts are coated with rust preventive grease, which may be hardened and contaminated by dust during storage and shipment. This grease must be removed by clean cloth with gasoline.

2. Examination

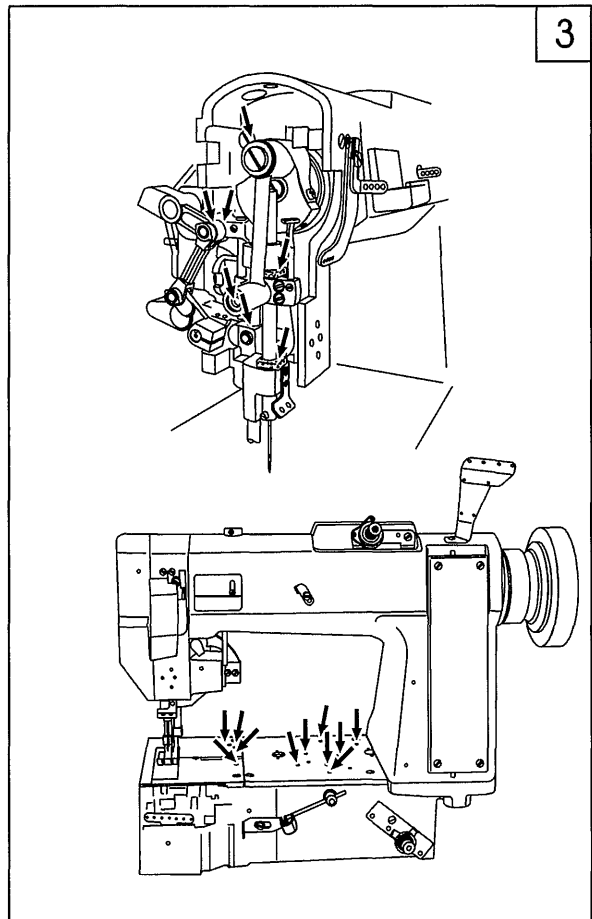
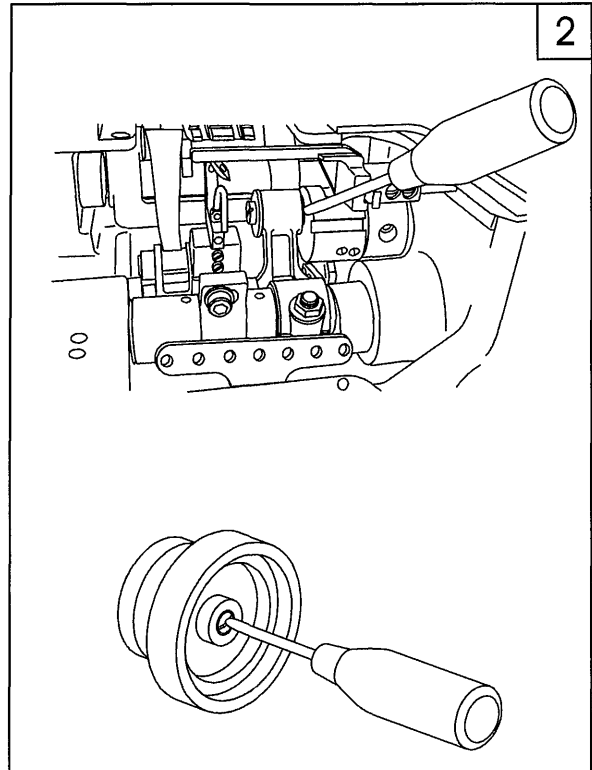
Though every machine is confirmed by strict inspection and test before delivery, the machine parts may be loosed or deformed after long distance transportation with jolt. A thorough examination must be performed after cleaning the machine. Turn the balance wheel to see if there is running obstruction, parts collision, uneven resistance or abnormal noise. If these exist, adjustment must be made accordingly before run.

4. Lubrication (Fig. 2, 3)

Before machine running, clean it with soft cloth, then fully lubricated the holes (Fig.3)

If the machine is in continuous operation, the operator should lubricate it no less that two times per day.

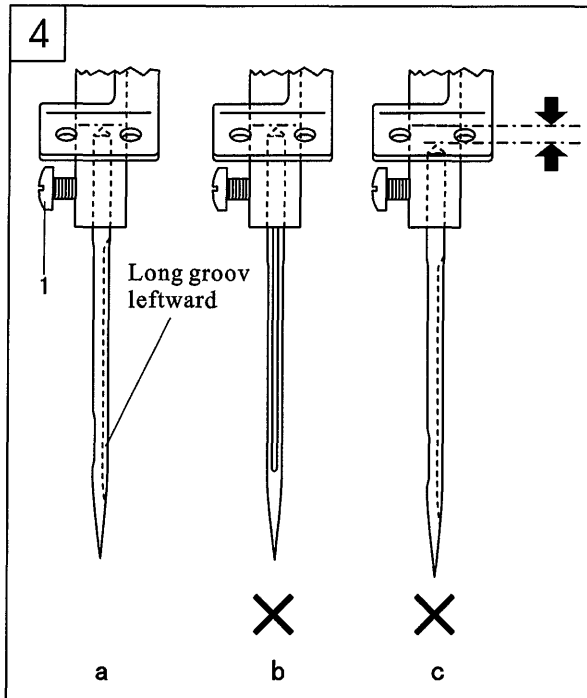
Please use HA-8 sewing machine oil or HJ-7 machinery oil.



5. Trial run

Trial run is required for a new sewing machine, or when the machine left out of operation for long time.

Note: Before the trial run, lift the presser foot. Run the machine at a low speed (about 1000-1500 s.p.m.) at beginning. As the machine runs well after 30 minutes, then increasing the speed gradually.



6. Installing the needle (Fig. 4)

Turn the balance wheel to lift the needle bar to its highest position, loosen needle set screw 1, fully insert the needle shank up to the bottom of needle socket, then tighten needle set screw 1.

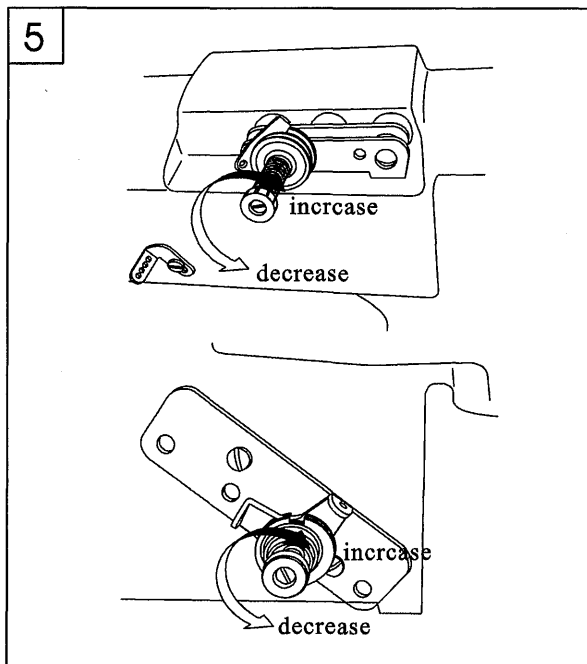
Note: Fig. (b): Insufficient insertion

Fig (c): Wrong direction of long groove.

7. Coordination between needle, thread and sewing material

left or right twisted is available.

Selection to the needle size should be based upon the thread and materia



8. Adjustment of thread tension (Fig.5)

1.If the needle thread is too tight or bobbin thread is too loose, turn the upper thread tension nut counter-clockwise to loosen the tension of the needle thread; or turn the rear thread tension nut clockwise to increase the tension of the bobbin thread.

2.If the needle thread is too loose or bobbin thread is too tight, turn the upper thread tension nut clockwise to increase the tension of the needle thread; or turn the rear thread tension nut counter-clockwise to loosen the tension of the bobbin thread.

9. Threading (Fig. 6)

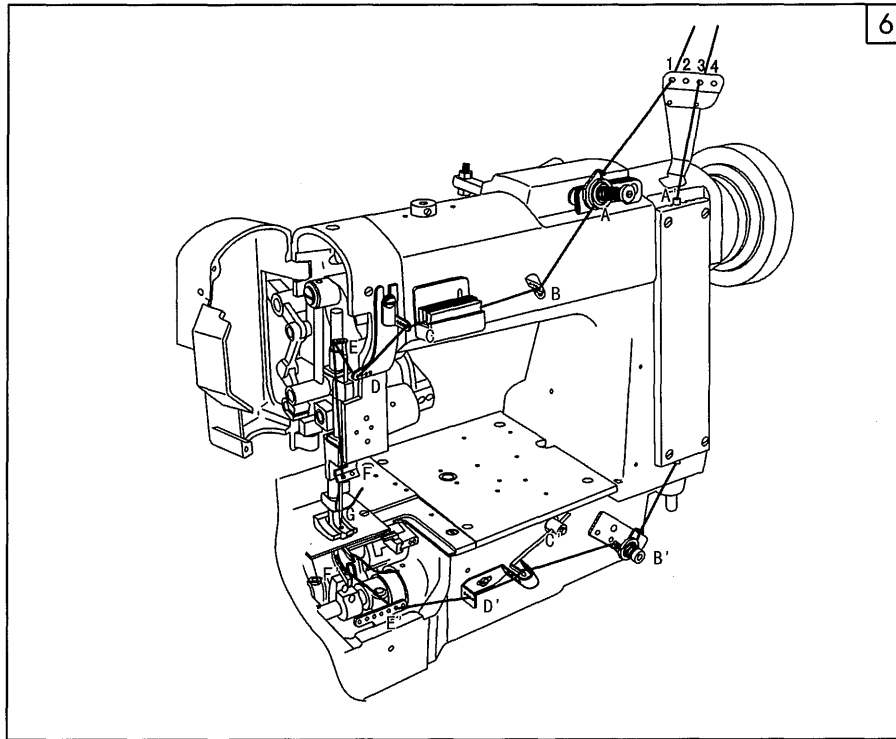
1. Threading the needle thread

Please threading the needle thread as follows sequence: hold 1, 2 of the thread finger → thread tension assembly A → thread finger B → thread finger C → four hold thread finger D → thread take-up lever E → finger F → needle.

2. Thread the bobbin thread

Please threading the needle thread as follows sequence:

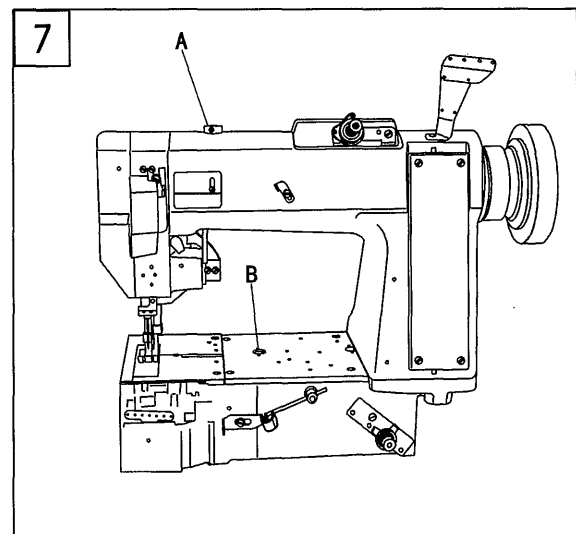
Hold 3,4 of the thread finger → thread pipe A' → thread tension plate B' → looper thread take-up lever C' → looper front thread finger D' → back hold E' → looper F'.



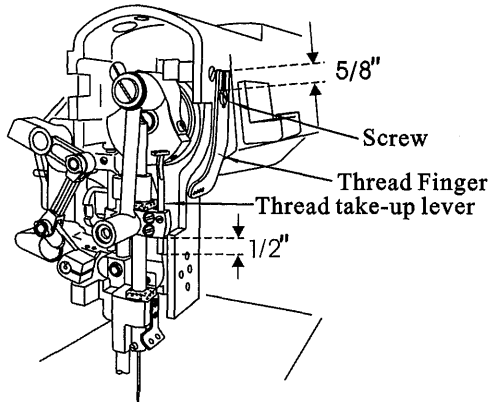
10. Adjusting the stitch length (Fig. 7)

1. Press down the button A by left hand, turn the balance wheel by right hand until the button goes to the groove, then turn button to 1/4 round to fix it.
2. Adjusting stitch length, please press down the button B by left hand, turn the balance wheel slowly by right hand until the button goes to the groove; turn the balance wheel to adjust the stitch length while press the button B. (Turn the balance wheel up to short the stitch length; turn down to long stitch length.)

Note: Please don't press down the button when the machine is running.



8

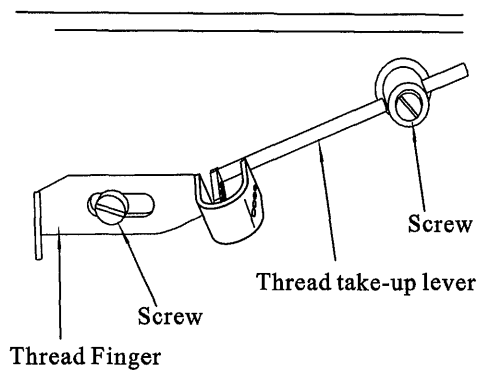


11. Adjusting the thread take-up of needle thread (Fig. 8)

Adjusting the thread take-up lever and thread finger to increase and decrease the thread tension. When the needle runs to high position, loosen the screw to heighten the thread take-up lever, or loosen the screw to lower the thread finger, so that to increase the thread tension. On the contrary, to decrease the thread tension.

Normally, the thread finger 5/8 higher then screw, bottom of thread take-up lever 1/2 lower then bottom of connector.

9

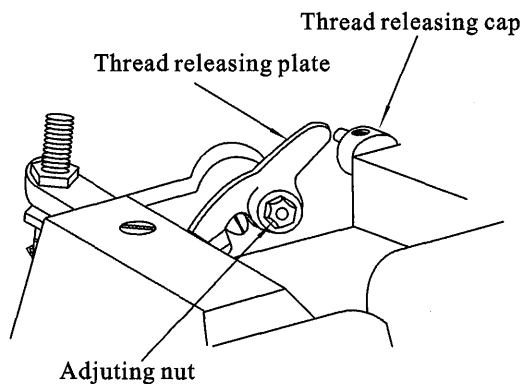


12. Adjusting the thread takeup of looper thread (Fig. 9)

Loosen the screw, move the thread finger rightward or lower the bracket to increase the amount of looper thread. On the contrary, to reduce the amount.

According to the material and thread stitch length, adjusting the thread tension. Loosen the screw, moving the thread finger and thread take-up lever rightward and leftward to adjust the tension. Then tighten the screw to insure the thread take-up lever pass the center of the bracket.

10



13. Adjusting the thread releasing. (Fig. 10)

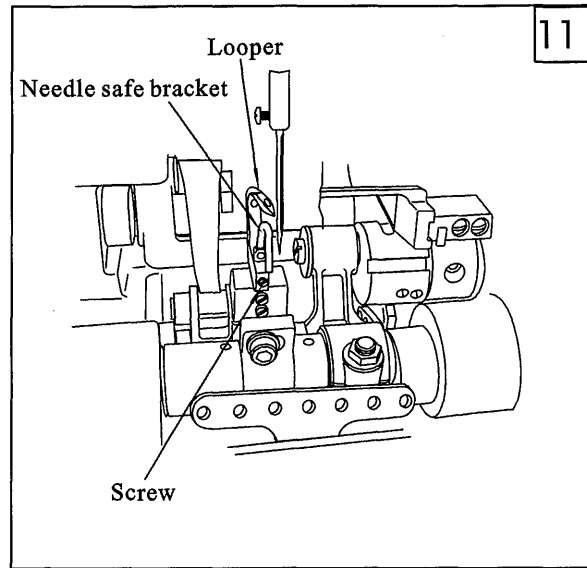
The correct adjusting method:

Moving the thread releasing cap to adjusting the thread releasing, tighten the screw when finish the adjustment. If the thread releasing can not be obtained, please loosen the adjusting nut, moving the thread releasing plate to correct postion, then tighten the nut.

14. Setting the needle safe bracket (Fig. 11)

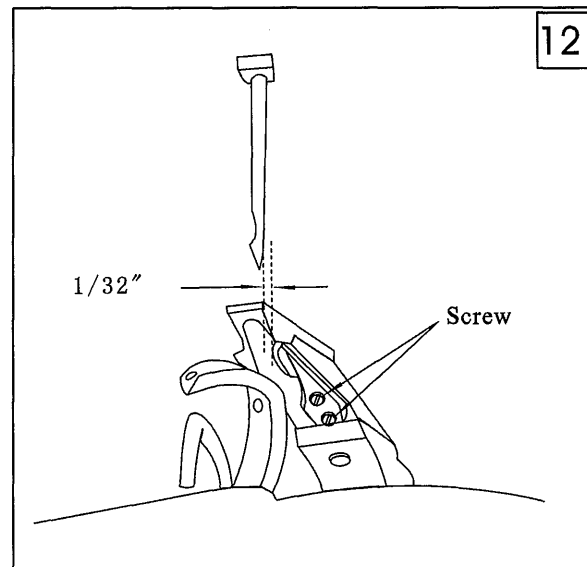
Adjusting mothed: Turn the balance wheel count-clockwise, looper run forwards until the looper and centre of needle on one line, this time, the mark "LT" should be 1/8 inch higher than the arrow mark of the arm.

Then, loosen the screw to turn the needle safe bracket, adjusting it to close the needle, but not touch on needle, then tighten the screw.



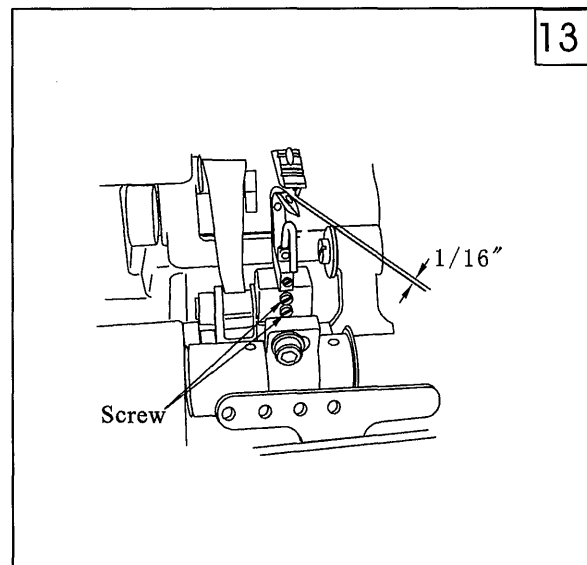
15. The position of needle and thread finger. (Fig. 12)

The correct position: 1/32" clearance between need and thread finger.

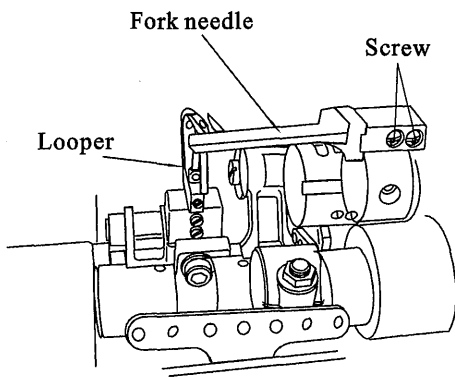


16. The position of looper and thread finger (Fig. 13)

The correct position: moving the looper to front position, there is 1/16" clearance between bottom of looper and thread finger.



14

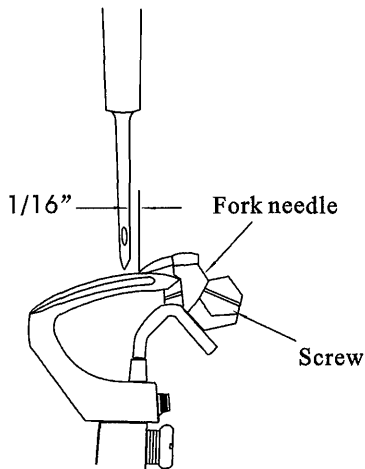


17. Setting the position of fork needle (Fig. 14,15)

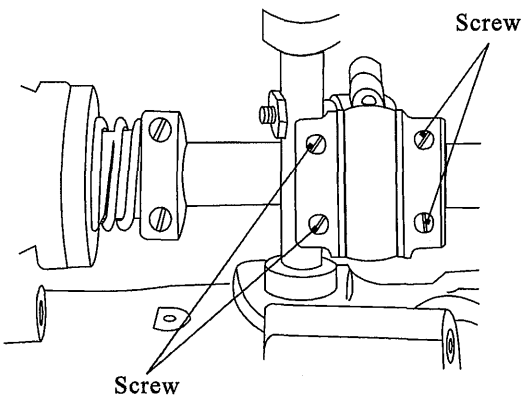
Horizontal adjusting method: when the looper pass the fork needle, the tip of fork needle aims the top of looper left groove, and there is little clearance like tow paper. Loosen the screw, then move the bracket to suitable position.

Vertical adjusting method: When the needle run to near the fork needle, there is 1/16" clearance between the two tip. Loosen the screw, move the bracket forward or rearward to suitable positon

15



16



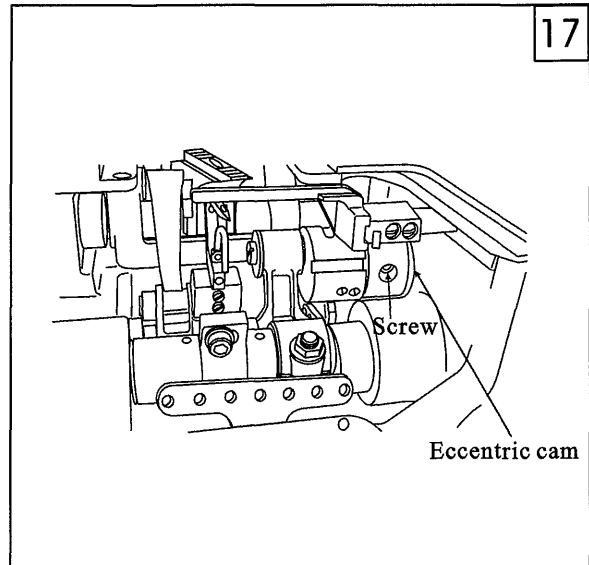
18. Timing adjusting for fork needle (Fig. 16.)

Adjusting method: put down the machine head, loosen the screw of driving eccentric cam and the screw of block, move the eccentric cam leftward to increase the amount, move it rightward to decrease the amount. Then tighten the screw of driving eccentric cam firstly, then tighten the screw of block.

19. Timing adjusting of feed dog (Fig.17)

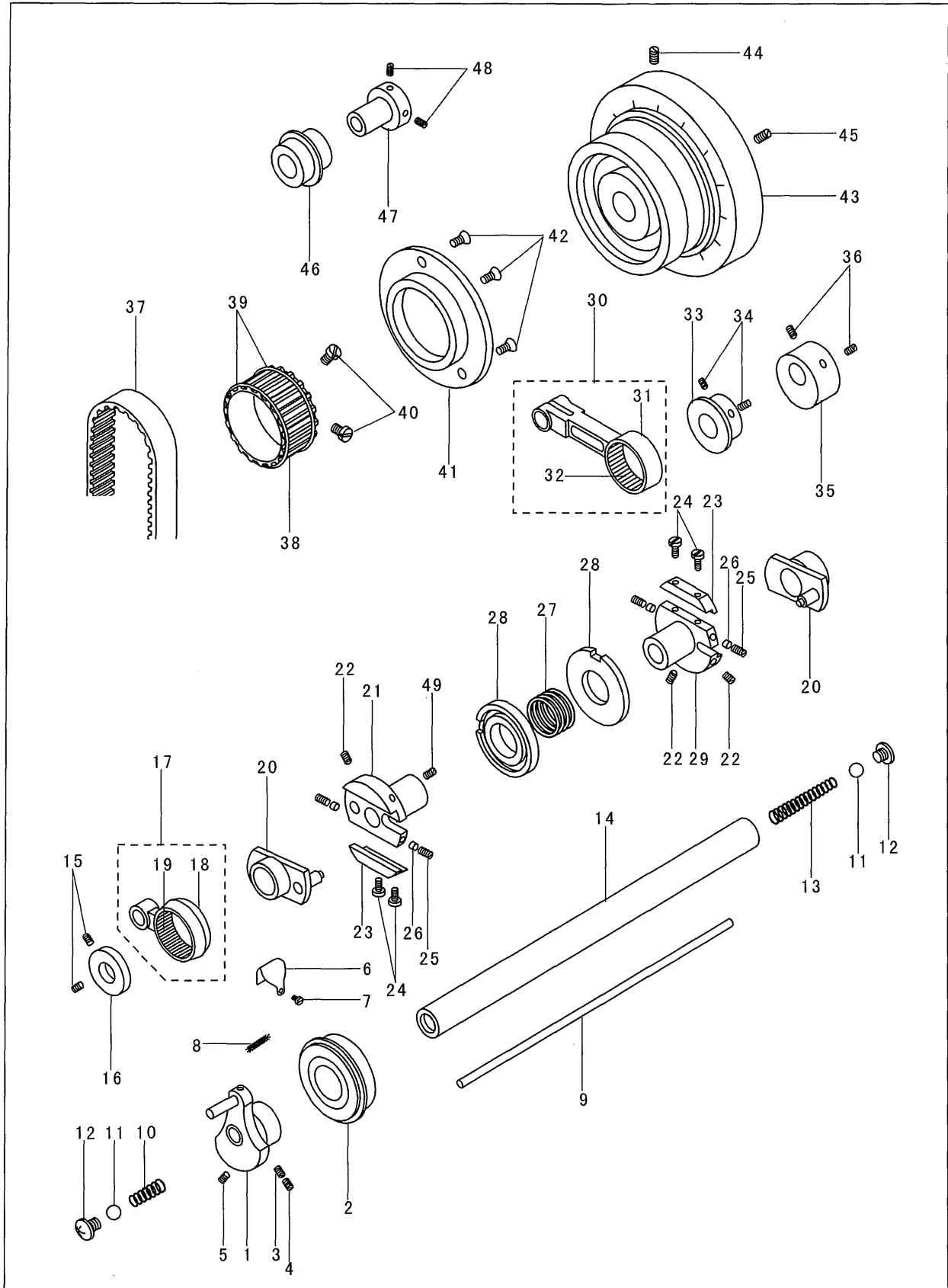
When the feed dog run to highest position, the top of feed dog and the needle face should be on one line.

Adjusting method: Loosen the screw, move the eccentric cam forward to increase the feed dog; move rearward to decrease the feed dog



Parts Manual

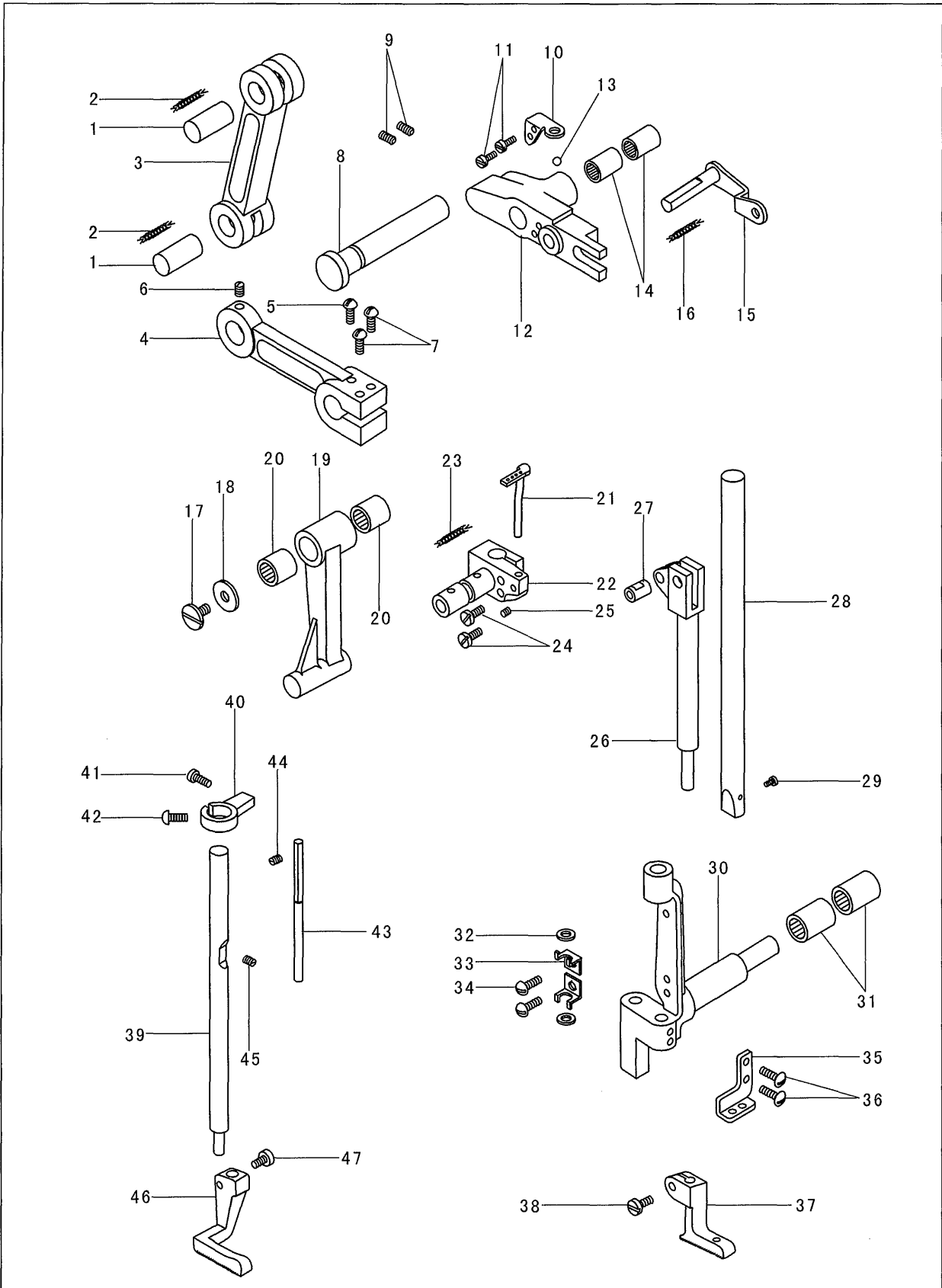
1. Arm part



1. Arm part

NO.	Part NO.	Name of part	Qty.	Note
1	16KT1-007	Needle bar crank	1	
2		Front bearing	1	6205-2ZN
3	16KT1-052	Position screw	1	
4	22WF1-045	Screw	1	
5	16WF1-020	Setting screw	1	
6	16KT1-008	Needle bar crank cover	1	
7	16KT1-009	Screw	2	
8		Oil wick	1	
9	16KT1-002	Oil control lever	1	
10	16KT1-003	Front spring	1	
11	16KT1-004	Stop ball	2	
12	16KT1-005	Screw	2	
13	16KT1-006	Back spring	1	
14	16KT1-001	Arm shaft	1	
15	2KT5-036B	Screw	2	
16	16KT1-017	Collar	1	
17		Driving link assembly	1	
18	16KT4-008	Driving link	1	
19	16KT4-009	Bearing	1	
20	16KT4-017	Lifting eccentric cam	2	
21	16KT5-001	Adjusting block (left)	1	
22	16KT4-013	Screw	3	
23	16KT4-015	Plate	2	
24	16KT4-016	Screw	4	
25	21WF1-060	Screw	4	
26	16KT4-014	Pad	4	
27	16KT5-002	Spring	1	
28	16KT4-018	Adjusting plate	2	
29	16KT5-003	Adjusting block (right)	1	
30		Eccentric link assembly	1	
31	16KT5-004	Eccentric link	1	
32	16KT4-009	Bearing	1	
33	16KT5-005	Collar	1	
34	16KT1-018	Screw	2	
35	16KT5-006	Balance block	1	
36	80WF6-036	Screw	2	
37	16KT1-016	Synchro belt	1	
38	16KT1-013	Synchro pulley	1	
39	16WF1-043	Spring ring	2	
40	16KT1-014	Screw	2	
41	16KT1-011	Ball bearing bracket	1	
42	16KT1-012	Screw	3	
43	16KT1-019	Balance wheel	1	
44	50WF1-004	Screw	1	
45	50WF1-029	Screw	1	
46		Back bearing	1	6204-2ZN
47	16KT1-010	Bushing	1	
48	42WF3-007	Screw	2	SM15/64"×28
49	14KT4-003	Setting screw	1	

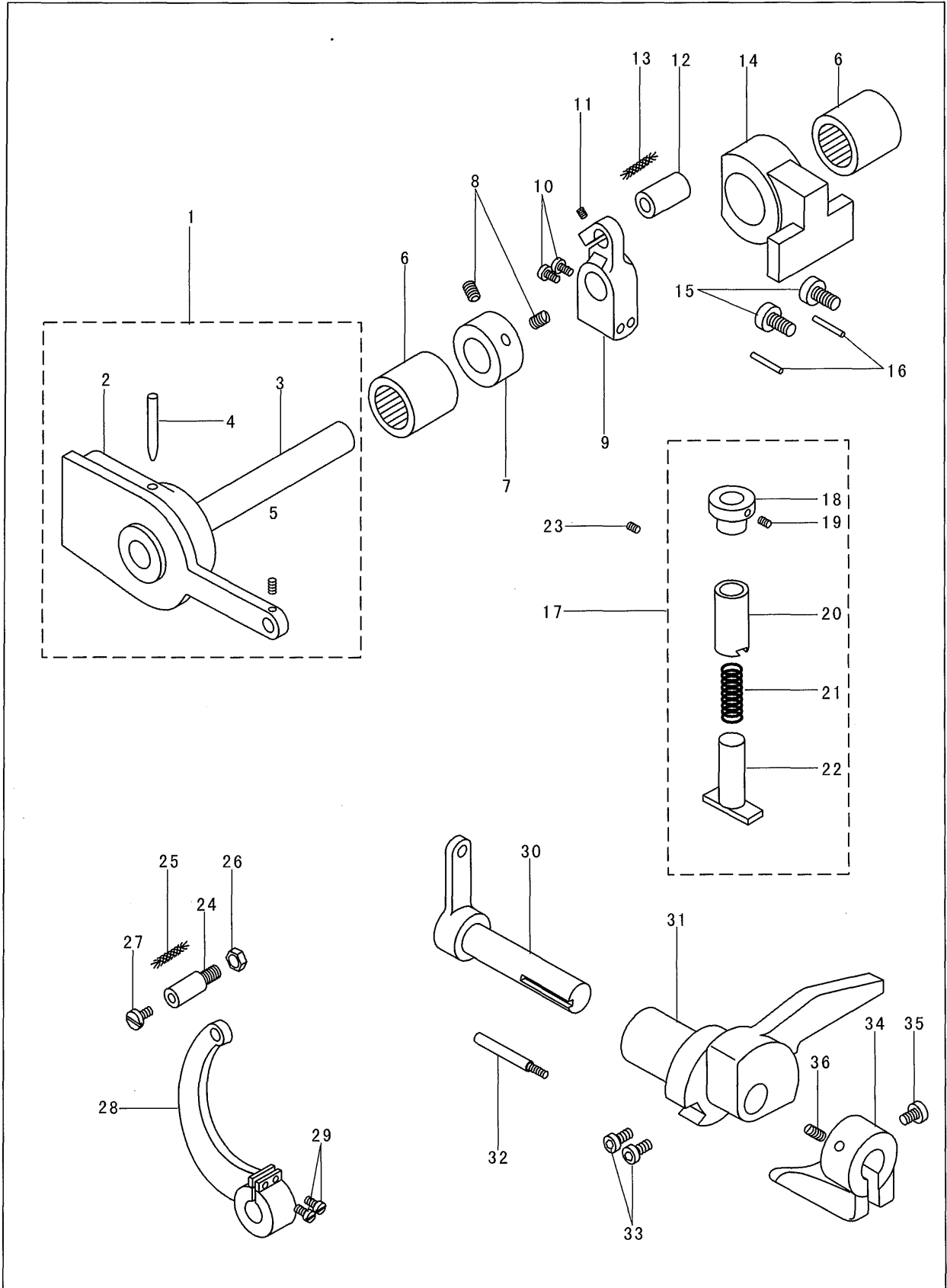
2. Needle Bar, Presser foot Part



2. Needle Bar, Presser foot Part

NO.	Part NO.	Name of part	Qty.	Note
1	16KT5-007	Lifting link pin	2	
2		Oil wick	2	
3	16KT5-008	Lifting link	1	
4	16KT5-009	Front crank	1	
5	16KT5-010	Screw	1	
6	16KT5-011	Screw	1	
7	16KT4-013	Screw	2	
8	16KT5-012	Nail	1	
9	22T1-013	Screw	2	
10	16KT5-013	Stop plate	1	
11	16KT5-014	Screw	2	
12	16KT5-015	Lifting lever	1	
13		Ball	1	
14	16KT5-016	Bushing	1	
15	16KT5-017	Back crank	1	
16		Oil wick	1	
17	16KT1-029	Screw	1	
18	16KT1-028	Washer	1	
19	34KT1-002	Needle bar link	1	
20	16KT1-027	Bearing	2	
21	16KT1-023	Thread take-up lever	1	
22	34KT1-001	Needle adopt	1	
23		Oil wick	1	
24	16KT1-025	Screw	2	
25	16KT1-023A	Screw	1	
26	16KT5-018	Small presser foot bar	1	
27	16KT5-019	Pin	1	
28	16KT1-020	Needle bar	1	
29	16KT1-021	Screw	1	
30	16KT5-020	Needle bar moving bracket	1	
31	16KT5-021	Bearing	2	
32	16KT5-022	Oil felt	2	
33	16KT5-023	Felt bracket	2	
34	22T2-017	Screw	2	
35	16KT5-024	Thread guide	1	
36	16KT5-025	Screw	2	
37	34KT3-001	Samll presser foot	1	
38	16KT3-008	Screw	1	
39	16KT3-001	Presser bar	1	
40	16KT3-002	Guide block	1	
41	6K3-022	Screw	1	
42	16KT3-003	Screw	1	
43	16KT3-004	Guide bar	1	
44	16KT3-005	Screw (upper)	1	
45	16KT3-006	Screw (lower)	1	
46	34KT5-001	Presser foot	1	
47	16KT3-008	Screw	1	

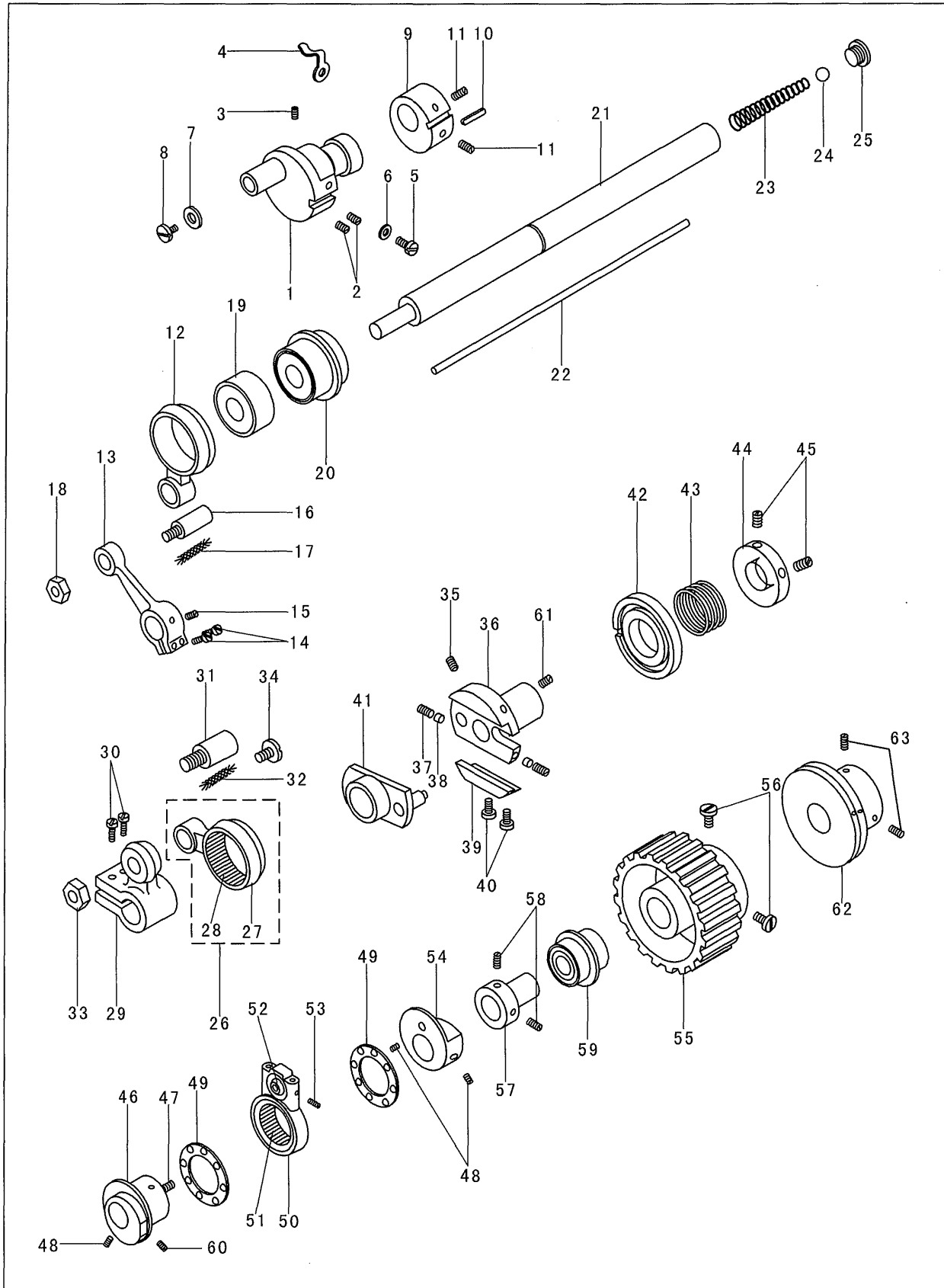
3. Needle bar moving, presser foot lifting bar



3. Needle bar moving, presser foot lifting bar

NO.	Part NO.	Name of part	Qty.	Note
1		Lifting moving shaft assembly	1	
2	16KT5-027	Moving crank	1	
3	16KT5-028	Moving shaft	1	
4		Pin	1	GB117-86-A4×21
5	16KT5-011	Screw	1	
6	16KT5-029	Bearing	2	
7	16KT1-083	Collar	1	
8	16KT1-083A	Screw	1	
9	16KT5-030	Back crank	1	
10	16KT3-043	Screw	2	
11	16KT5-031	Screw	1	
12	16KT5-007	Pin	1	
13		Oil wick	1	
14	16KT5-032	Lifting moving shaft bracket	1	
15	1WF1-018	Screw	2	
16		Position pin	2	GB117-86-A3×18
17		Adjusting lever assembly	1	
18	16KT5-033	Adjusting lever cap	1	
19	22WF1-020	Screw	1	
20	16KT5-034	Bushing	1	
21	16KT5-035	Spring	1	
22	16KT5-036	Adjusting lever	1	
23	16KT5-037	Screw	1	
24	16KT4-005	Pin	1	
25		Oil wick	1	
26	16KT4-006	Nut	1	
27	16KT4-011	Screw	1	
28	16KT5-038	Moving lever	1	
29	16KT5-039	Screw	2	
30	16KT3-038	Crank shaft	1	
31	16KT3-039	Bracket	1	
32	16KT3-040	Pin	1	
33	16KT3-041	Screw	2	
34	16KT3-042	Crank	1	
35	16KT3-043	Screw	1	
36	16KT3-044	Screw	1	

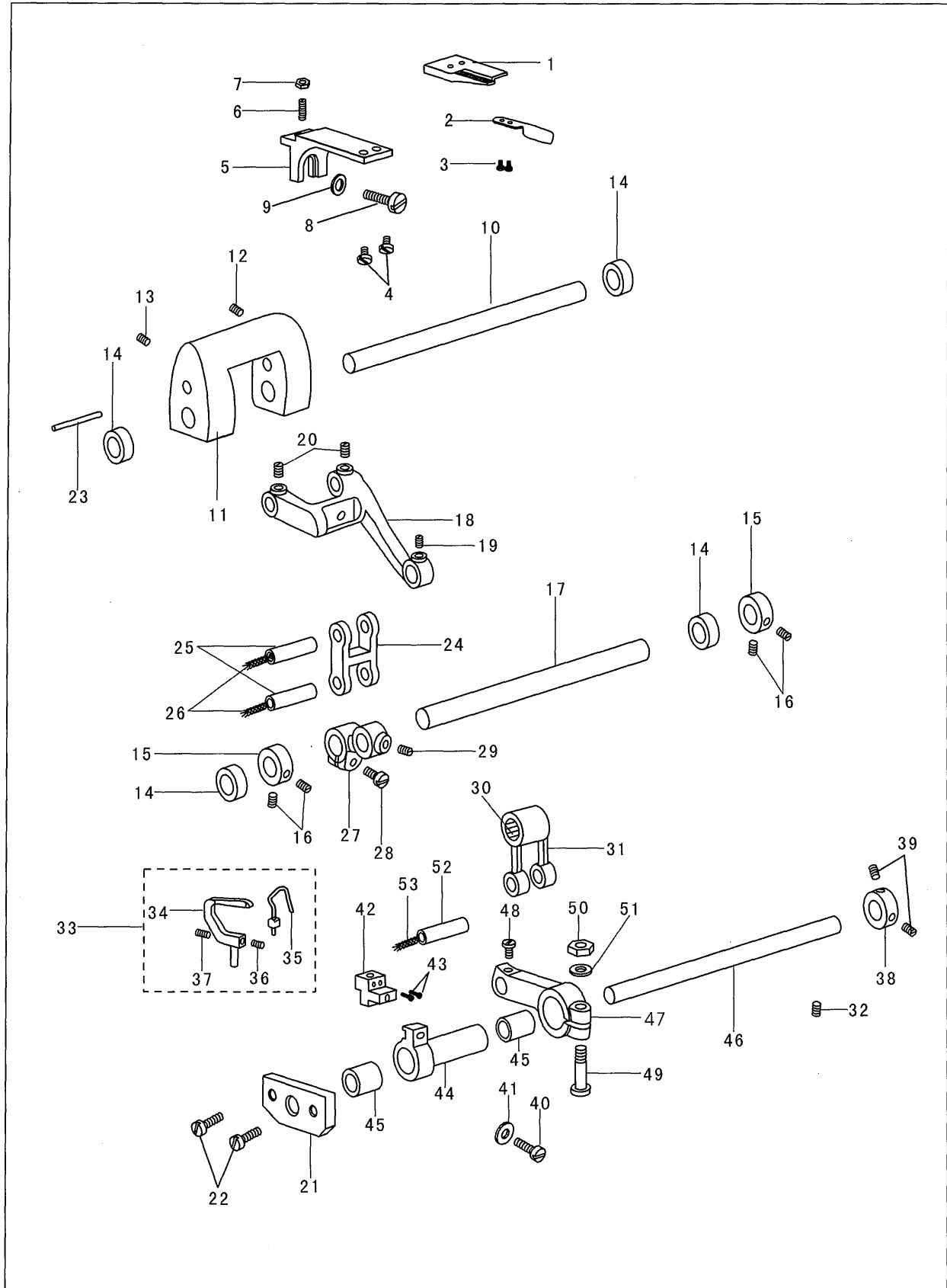
4. Lower shaft part



4. Lower shaft part

NO.	Part NO.	Name of part	Qty.	Note
1	16KT1-032	Driving crank	1	
2	16KT1-033	Position screw	2	
3	22WF1-048	Screw	1	
4	16KT1-034	Oil cover	1	
5	16KT1-035	Screw	1	
6	16KT1-036	Washer	1	
7	16KT1-037	Washer	1	
8	16KT1-038	Screw	1	
9	16KT4-001	Eccentric wheel	1	
10	16KT4-002	Pad	1	
11	80WF6-036	Screw	1	
12	16KT4-003	Lifting link	1	
13	16KT4-004	Crank	1	
14	16KT1-025	Screw	2	
15	1WF1-039	Screw	1	
16	16KT4-005	Connect pin	1	
17		Oil wick	1	
18	16KT4-006	Nut	1	
19	16KT4-007	Connect bearing	1	6002-2ZNR
20		Front bearing	1	6002-2ZNR
21	16KT1-030	Lower shaft	1	
22	16KT1-091	Oil control lever	1	
23	16KT1-006	Spring	1	
24	16KT1-004	Oil stop ball	1	
25	16KT1-005	Screw	1	
26		Driving link assembly	1	
27	16KT4-008	Driving link	1	
28	16KT4-009	Bushing	1	
29	16KT4-010	Crank	1	
30	22WF2-017	Screw	2	
31	16KT4-005	Connecting pin	1	
32		Oil wick	1	
33	16KT4-006	Nut	1	
34	16KT4-011	Screw	1	
35	16KT4-012	Eccentric plate	1	
36	16KT4-013	Screw	2	
37	21WF1-060	Screw	2	
38	16KT4-014	Pad	2	
39	16KT4-015	Plate	1	
40	16KT4-016	Screw	2	
41	16KT4-017	Eccentric wheel	1	
42	16KT4-018	Adjusting plate	1	
43	16KT4-019	Spring	1	
44	16KT4-020	Collar	1	
45	16WF1-017	Screw	2	
46	16KT1-085	Eccentric wheel	1	
47		Eccentric pin	1	GB879-86-3
48	22WF1-020	Screw	3	
49	16KT1-086	Washer	2	
50	16KT1-087	Adapter	1	
51	16KT1-088	Ball bearing	1	
52	16KT1-089	Roller	1	
53	13WF3-062	Screw	1	
54	16KT1-090	Balance block	1	
55	16KT1-031	Synchro pulley	1	
56	16KT1-014	Screw	2	
57	16KT1-010	Bushing	1	
58	42WF3-007	Screw	2	
59		Back bearing	1	6204-2ZN
60	16KT1-085A	Screw	1	
61	14KT4-003	Screw	1	
62	34KT1-009	Wheel	1	
63	42WF3-007	Screw	2	

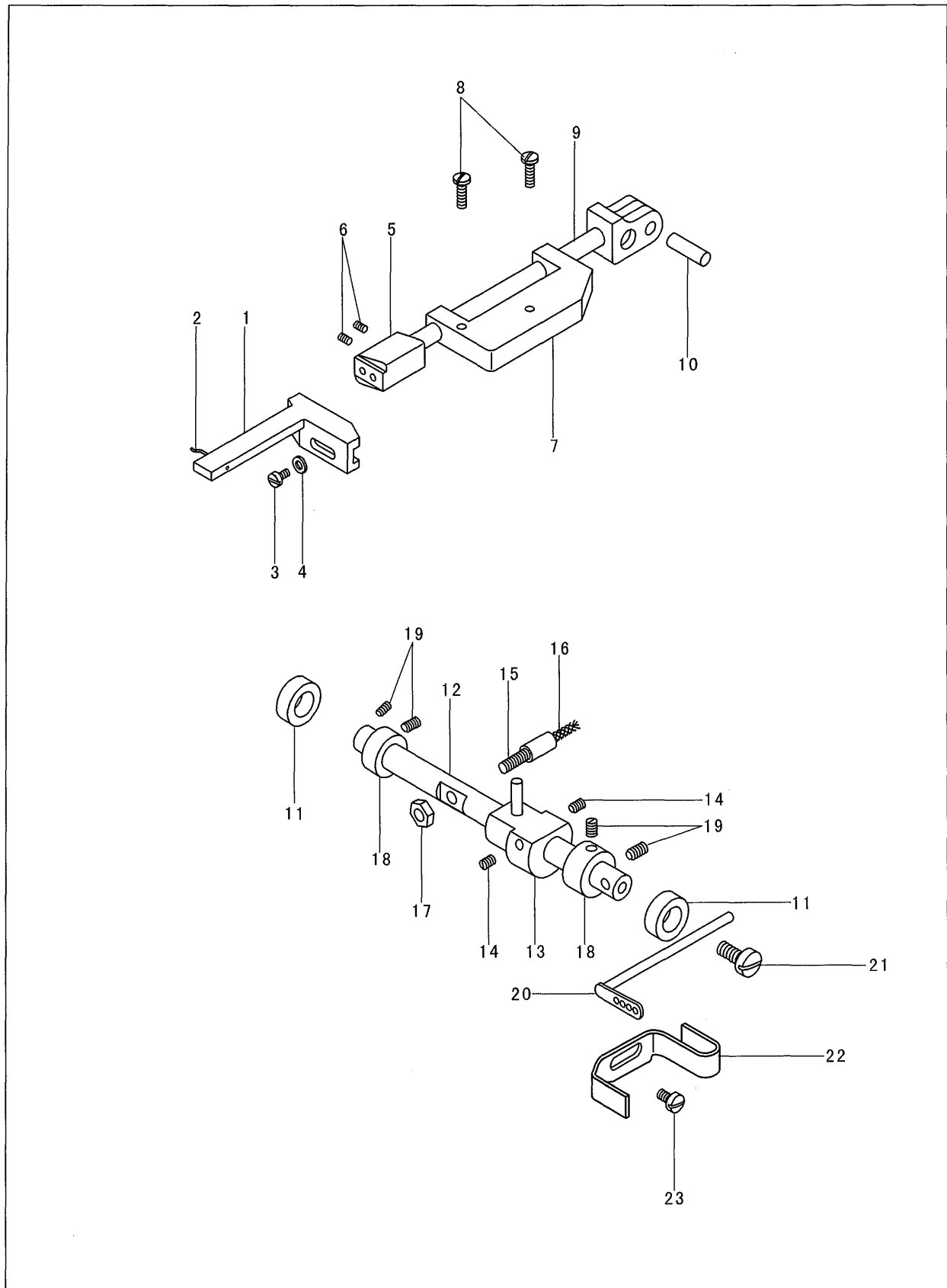
5.Low feed, looper Part



5.Low feed, looper Part

NO.	Part NO.	Name of part	Qty.	Note
1	34KT4-001	Feed dog	1	
2	16KT4-026	Thread finger	1	
3	6KT2-052	Screw	2	
4	16KT4-025A	Screw	2	
5	34KT4-002	Feed dog handle	1	
6	16KT4-028	Adjusting screw	1	
7	16KT4-029	Nut	1	
8	16KT4-030	Screw	1	
9		Washer	1	GB95-85-5
10	16KT4-033	Feed shaft	1	
11	34KT4-003	Front crank	1	
12	16KT1-052	Position screw	1	
13	22WF1-048	Screw	1	
14	16KT1-078	Bushing	4	
15	16KT1-083	Collar	2	
16	16KT1-083A	Screw	4	
17	34KT4-006	Feed shaft	1	
18	34KT4-004	Feed lever	1	
19	13WF4-027	Screw	2	
20	16KT3-044	Screw	1	
21	34KT1-008	Connecting plate	1	
22	16KT4-025A	Screw	2	
23	34KT4-005	Shaft	1	
24	16KT4-037	Feed lifting link	1	
25	16KT4-038	Link pin	2	
26		Oil wick	2	
27	16KT4-039	Feed lifting crank	1	
28	16KT4-040	Screw	1	
29	16KT3-044	Screw	1	
30	16KT1-048	Bearing	1	
31	16KT1-043	Connector	1	
32	58WF5-015	Screw	1	
33		Looper assembly	1	
34	16KT1-039	Looper	1	
35	16KT1-040	Safety finger	1	
36	16KT1-042	Screw	1	
37	16KT1-041	Screw	1	
38	31KT1-005	Collar	1	
39	16KT1-083A	Screw	2	
40	84WF4-021	Screw	1	
41		Washer	1	GB95-85-5
42	34KT1-004	Looper bracket	1	
43	16KT1-046	Screw	2	
44	34KT1-005	Looper clamp	1	
45	16KT1-048	Bushing	2	
46	31KT1-003	Shaft	1	
47	16KT1-053	Crank	1	
48	6KT3-022	Screw	1	
49	16KT1-054	Pin	1	
50	16KT1-055	Nut	1	
51	16KT1-053	Crank	1	GB97.1-85-6
52	16KT1-044	Shaft	1	
53		Oil wick	1	

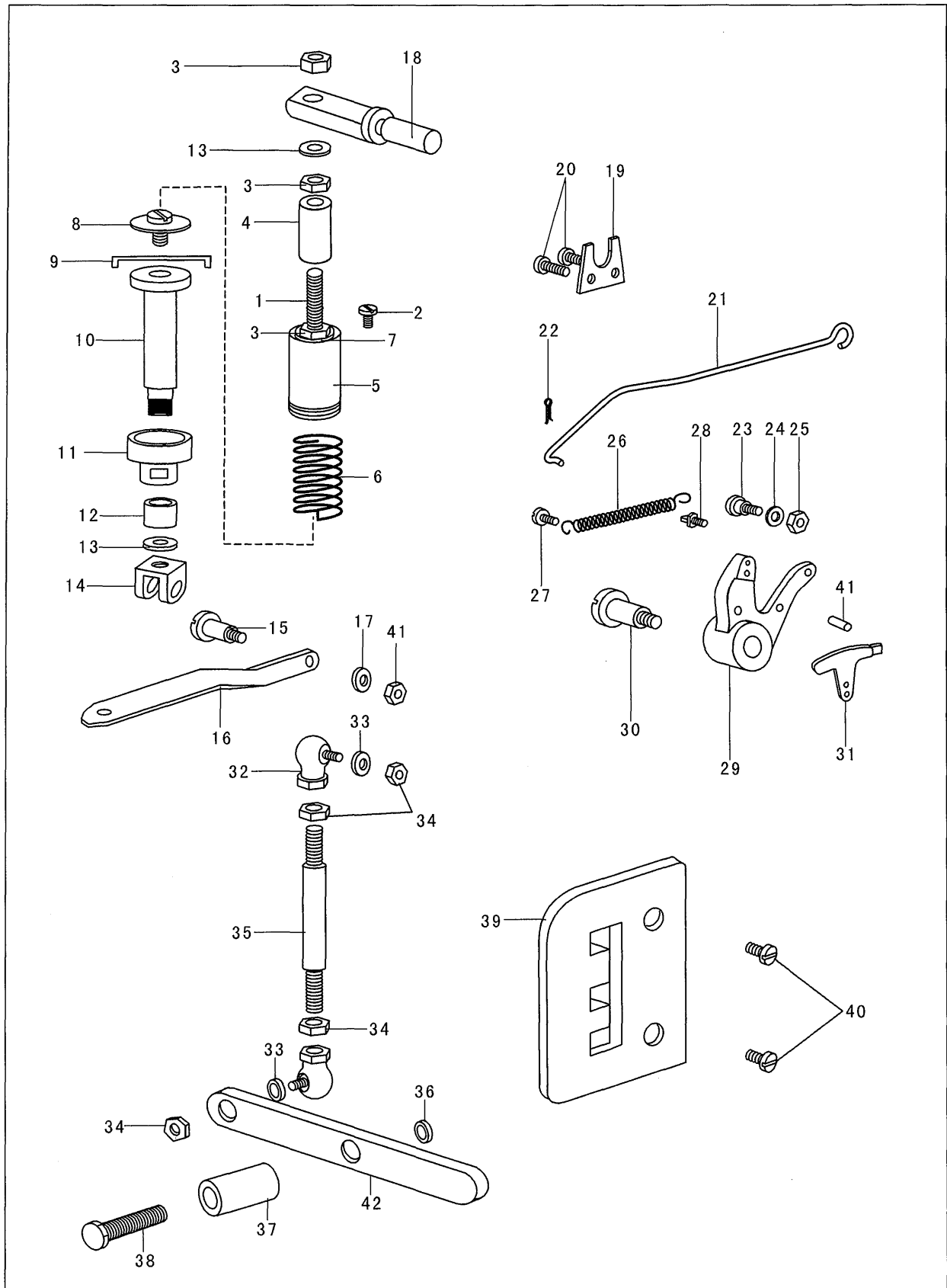
6.Fork needle swing shaft part



6. Fork needle swing shaft part

NO.	Part NO.	Name of part	Qty.	Note
1	34KT1-006	Fork needle	1	
2	16KT1-070	Needle point	1	
3	16KT1-071	Screw	1	
4		Washer	1	GB848-85-5
5	16KT1-073	Fork needle bracket	1	
6	16KT1-018	Screw	2	
7	16KT1-074	Fork needle lever bracket	1	
8	16KT1-075	Screw	2	
9	34KT1-007	Fork needle lever	1	
10	16KT1-077	Pin	1	
11	16KT1-078	Bushing	2	
12	16KT1-079	Swing shaft	1	
13	16KT1-080	Crank	1	
14	84WF3-038	Screw	2	
15	16KT1-081	Pin	1	
16		Oil wick	1	
17	16KT1-082	Nut	1	
18	16KT1-083	Collar	2	
19	16KT1-083A	Screw	4	
20	16KT1-084	Thread take-up lever	1	
21	20T2-031	Screw	1	
22	31KT2-009	Thread finger	1	
23	7KT5-046	Screw	1	

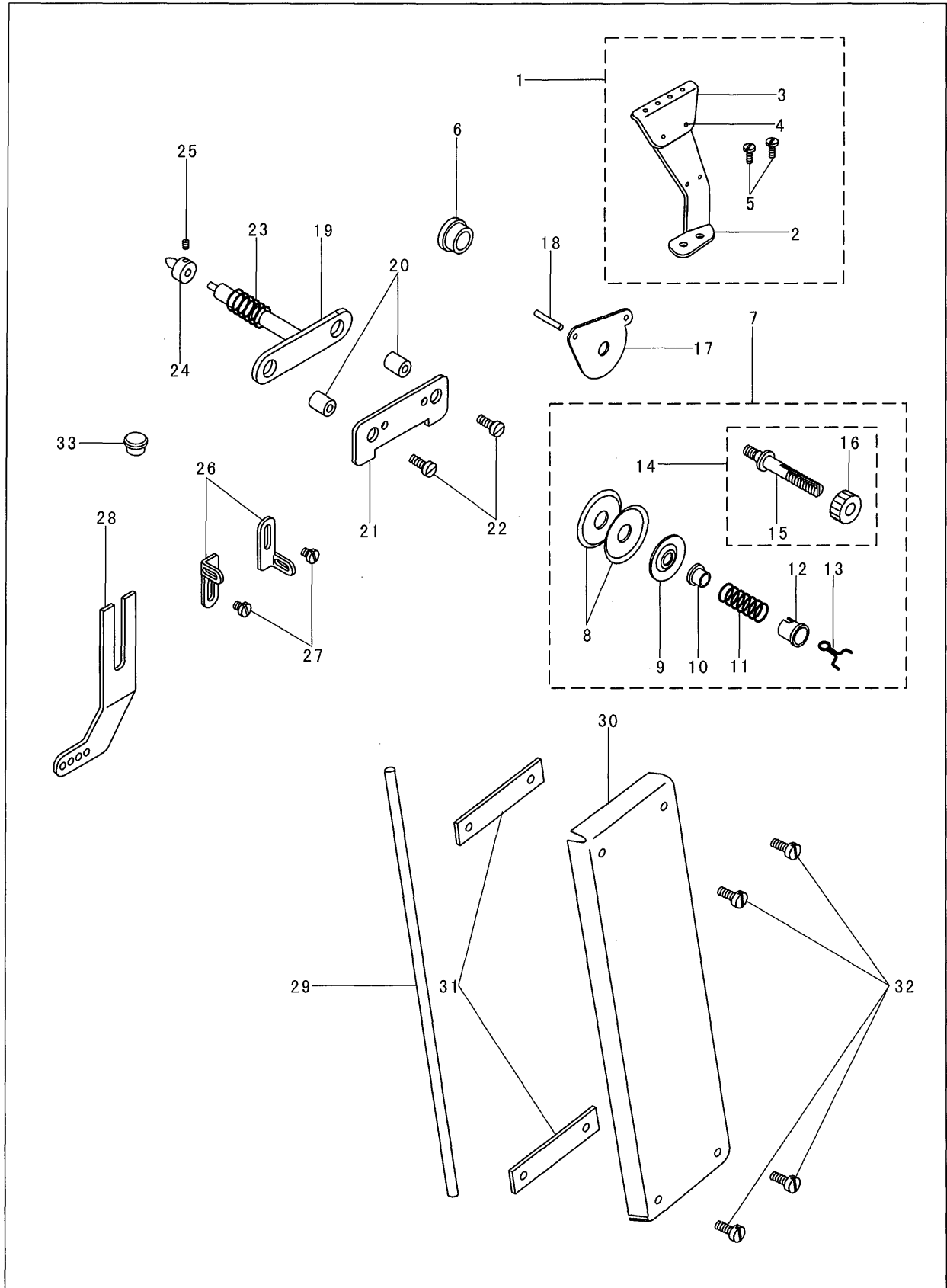
7. Preeser bar, pressure cylinder part



7. Presser bar, pressure cylinder part

NO.	Part NO.	Name of part	Qty.	Note
1	34KT3-011	Connector lever	1	
2	34KT3-009	Screw	1	
3	16KT3-010	Nut	3	
4	34KT3-012	Bushing	1	
5	34KT3-008	Pressure cylinder	1	
6	34KT3-013	Spring	1	
7		Spring washer	1	GB/859-6
8	34KT3-014	Screw	1	
9	34KT3-016	Washer	1	
10	34KT3-015	Bar	1	
11	34KT3-010	Connector	1	
12	16KT3-019	Bushing	1	
13	16KT3-020	Washer	1	
14	16KT3-023	Fork	2	
15	16KT3-035	Screw	1	
16	16KT3-034	Spring lever	1	
17	16KT3-036	Washer	1	
18	16KT3-024	Bracket	1	
19	16KT3-025	Stop plate	1	
20	16KT1-009	Screw	2	
21	16KT3-026	Lifting lever	1	
22		Ring	1	GB91-86-2×10
23	16KT3-027	Screw	1	
24		Washer	1	GB95-85-5
25	16KT3-028	Nut	1	
26	16KT3-029	Spring	1	
27	16KT1-012	Screw	1	
28	16KT3-030	Spring screw	1	
29	16KT3-031	Lifting bar	1	
30	16KT3-032	Screw	1	
31	16KT3-033	Thread releasing plate	1	
32	34KT3-006	Connector	2	
33	34KT3-007	Rubber ring	2	
34		Nut	3	GB/T41 M5
35	34KT3-005	Presser bar lifting lever	1	
36		Washer	1	GB/T95 6
37	34KT3-004	Bushing	1	
38		Screw	1	GB/T5781 M6×16
39	34KT3-002	Position plate	1	
40	16WF4-032	Screw	2	
41		Pin	1	GB897-86-2.5×10

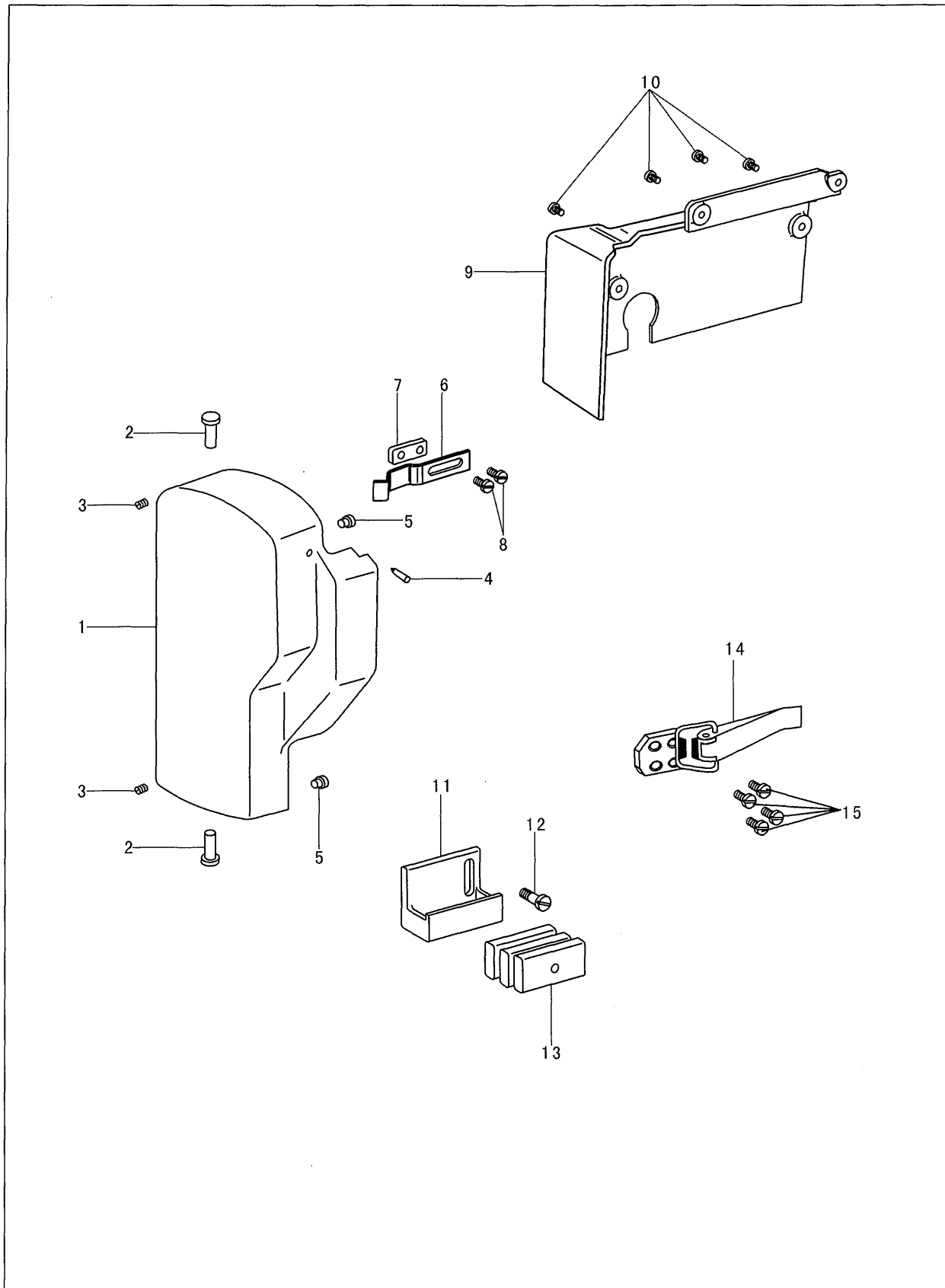
8. Threading



8. Threading

NO.	Part NO.	Name of part	Qty.	Note
1		Upper thread finger bracket assembly	1	
2	16KT2-003	Upper thread finger bracket	1	
3	16KT2-004	Looper thread finger	1	
4	16KT2-005	Screw	2	SM3/32"×56
5	16KT2-006	Screw	2	SM11/64"×40
6	16KT2-007	Rubber plug	2	
7		Thread tension complete	1	
8	16KT2-008	Thread tension plate	1	
9	16KT2-009	Thread tension releasing plate	1	
10	16KT2-010	Rear bushing	1	
11	16KT2-011	Thread tension spring	1	
12	16KT2-012	Front bushing	1	
13	16KT2-013	Thread tension pin	1	
14		Thread tension screw complete	1	
15	16KT2-014	Thread tension screw	1	
16	16KT2-015	Nut	1	
17	16KT2-016	Thread tension plate	1	
18	16KT2-017	Thread releasing pin	1	
19	16KT2-018	Thread releasing	1	
20	16KT2-019	Bushing	2	
21	16KT2-020	Thread tension assembly	1	
22	16KT1-012	Screw	2	SM3/16"×32
23	16KT2-021	Spring	1	
24	16KT2-022	Cap	1	
25	36WF5-012A	Screw	1	SM11/64"×40
26	16KT2-023	Thread finger	2	
27	16KT2-024	Screw	2	SM11/64"×40
28	16KT2-025	Four hold thread finger	1	
29	16KT2-064	Thread pipe	1	GB8163-87-6
30	16KT2-026	Cover	1	
31	16KT2-027	Washer	2	
32	16KT2-028	Screw	4	SM11/64"×40
33	16KT2-065	Rubber plug	1	

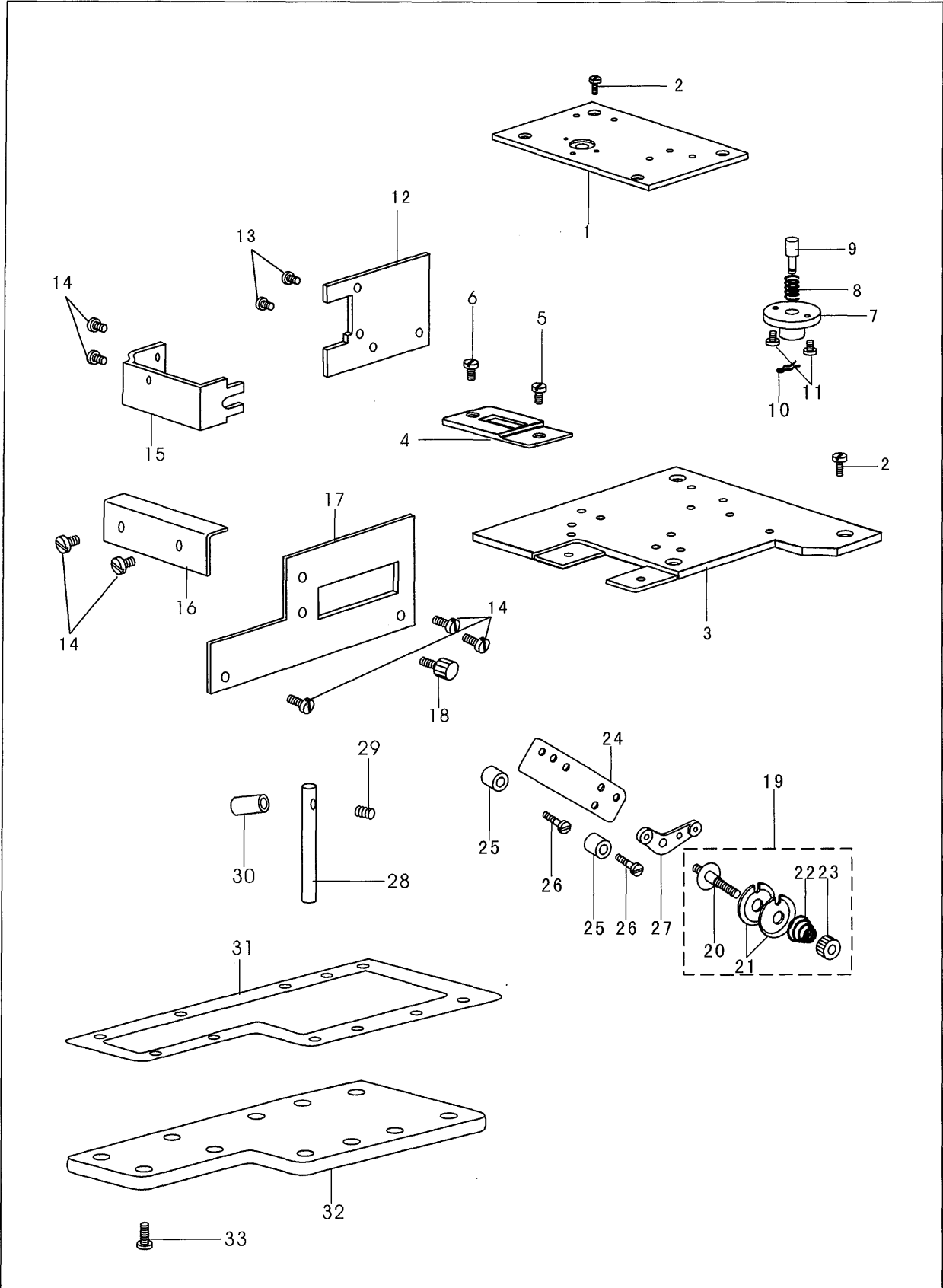
9.Face plate



9.Face plate

NO.	Part NO.	Name of part	Qty.	Note
1	34KT2-002	Face plate	1	
2	16KT2-030	Pin	2	
3	22T2-013	Screw	2	
4	16KT2-031	Pin	1	
5	16KT2-032	Washer	2	
6	16KT2-033	Spring	1	
7	16KT2-034	Spring plate	1	
8	16KT2-035	Screw	2	
9	34KT2-003	Cover	1	
10	22T2-019	Screw	4	
11	16KT2-037	Oil box	1	
12	21WF3-006	Screw	1	
13	16KT2-038	Oil felt	3	
14	34KT2-018	Lock	1	
15		Screw	4	GB/T 819.2 M3×6

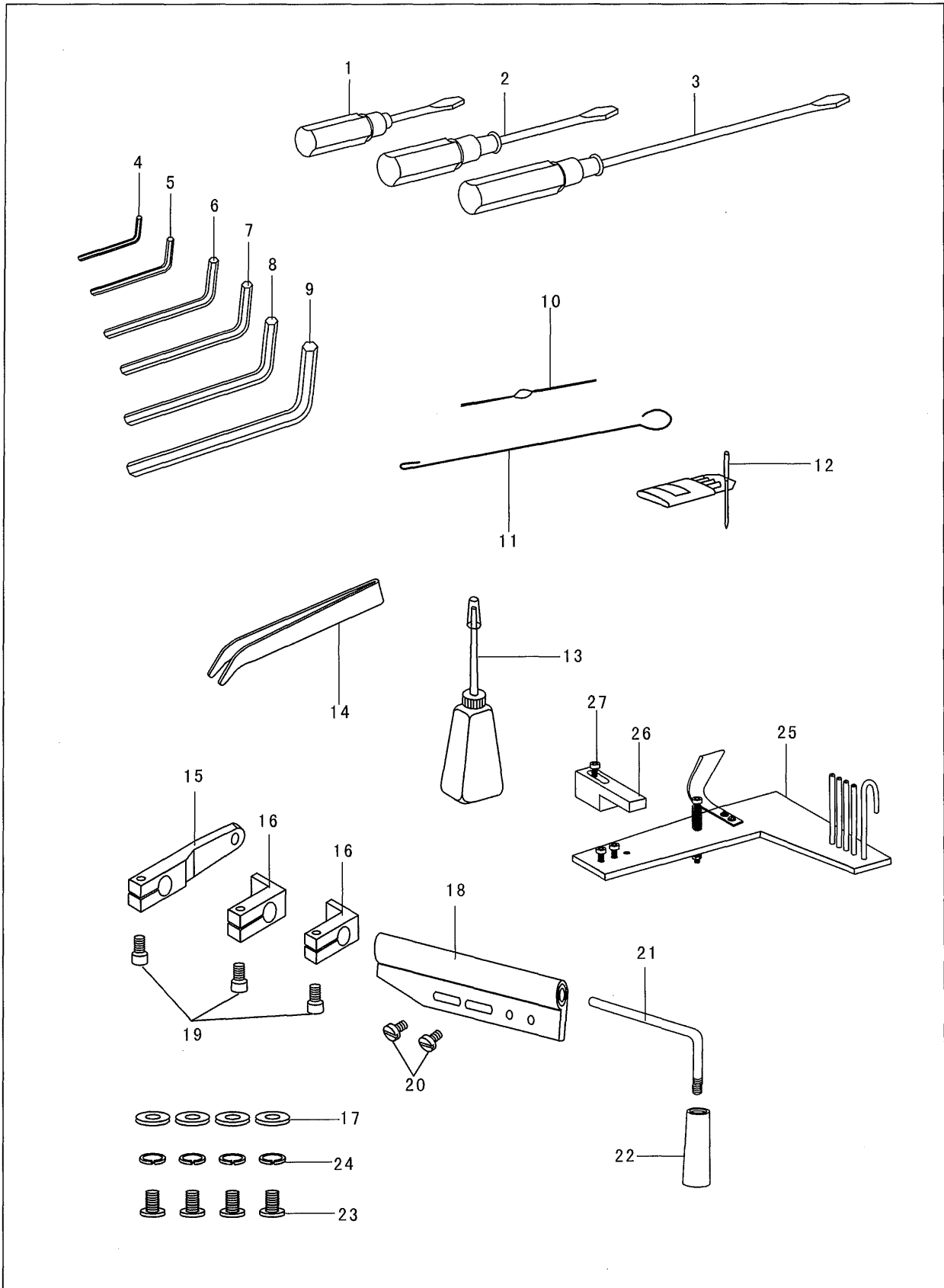
10. Base cover part



10.Base cover part

NO.	Part NO.	Name of part	Qty.	Note
1	34KT2-005	Right cover	1	
2	90WF2-004	Screw	8	
3	34KT2-004	Left cover	1	
4	34KT2-011	Needle bar	1	
5	34KT2-012	Front screw	1	
6	34KT2-013	Back screw	1	
7	16KT2-043	Adjusting pin bracket	1	
8	16KT2-042	Spring	1	
9	16KT2-041	Adjusting pin	1	
10	16KT2-044	Stop spring	1	
11	16KT2-045	Screw	1	
12	34KT2-020	Back cover	2	
13	13WF1-045	Screw	1	
14		Screw	7	
15	34KT2-022	Moving plate	1	
16	34KT2-024	Side plate	1	
17	34KT2-021	Front plate	1	
18	34KT2-023	Screw	1	
19		Thread tension assembly	1	
20	16KT2-056	Screw bolt	1	
21	16KT2-057	Thread tension plate	1	
22	16KT2-058	Thread tension spring	1	
23	16KT2-059	Nut	2	
24	16KT2-053	Thread tension bracket	1	
25	16KT2-019	Washer	1	
26	16KT2-054	Screw	1	
27	16KT2-055	Thread finger	1	
28	34KT2-010	Thread bar	2	
29	71WF1-003	Screw	2	
30	34KT2-009	Thread pin	1	
31	34KT2-007	Seal washer	1	
32	34KT2-006	Lower cover	6	
33	34KT2-008	Screw		

11. Accessories



11. Accessories

NO.	Part NO.	Name of part	Qty.	Note
1	33TF-014	Screw driver (small)	1	
2	33TF-013	Screw driver	1	
3	33TF-012	Screw driver (big)	1	
4		Hexagonal wrench	1	
5		Hexagonal wrench	1	
6		Hexagonal wrench	1	
7		Hexagonal wrench	1	
8		Hexagonal wrench	1	
9		Hexagonal wrench	1	
10	16KT6-007	Steel wire	1	
11	16KT6-008	Steel wire finger	1	
12		Needle	5	
13	33TF-001	Small oil pot	1	
14	16KT6-018	Nipper	1	
15	34KT3-019	Connecting block	1	
16	34KT3-018	Position block	2	
17		Washer	4	GB/T 95 6
18	34KT3-024	Plate	1	
19	34KT3-020	Screw	1	
20		Screw	4	GB/T65 M4×14
21	34KT3-021	Bend lever	1	
22	34KT3-022	Bar	1	
23		Screw	4	GB/T5781 M6×20
24		Washer	4	GB93 6
25	34KT6-004	Carding engine	1	
26	34K6-007	Presser plate	1	
27	53WF2-009	Screw	1	

3421UX5-2



CONSEW *Since 1898* [®]

CONSOLIDATED SEWING MACHINE CORP.

— INDUSTRIAL SEWING & CUTTING EQUIPMENT

400 VETERANS BLVD, CARLSTADT, NJ 07072

212-741-7788