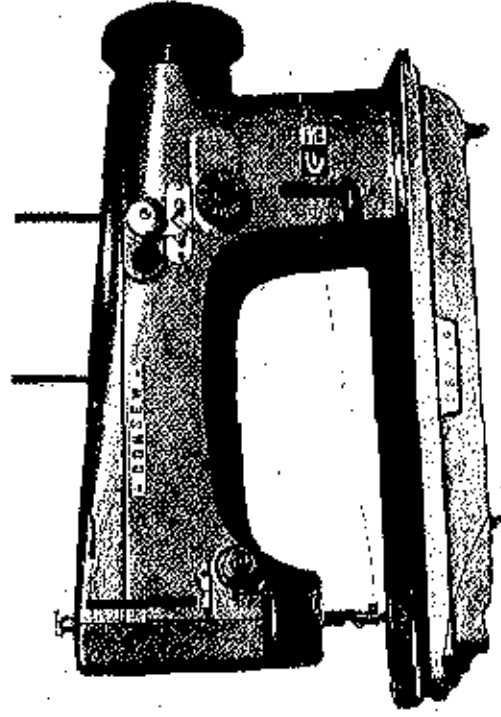


CONSEW

LIST OF PARTS



MODEL 102
MODEL 98
MODEL 103
MODEL 99

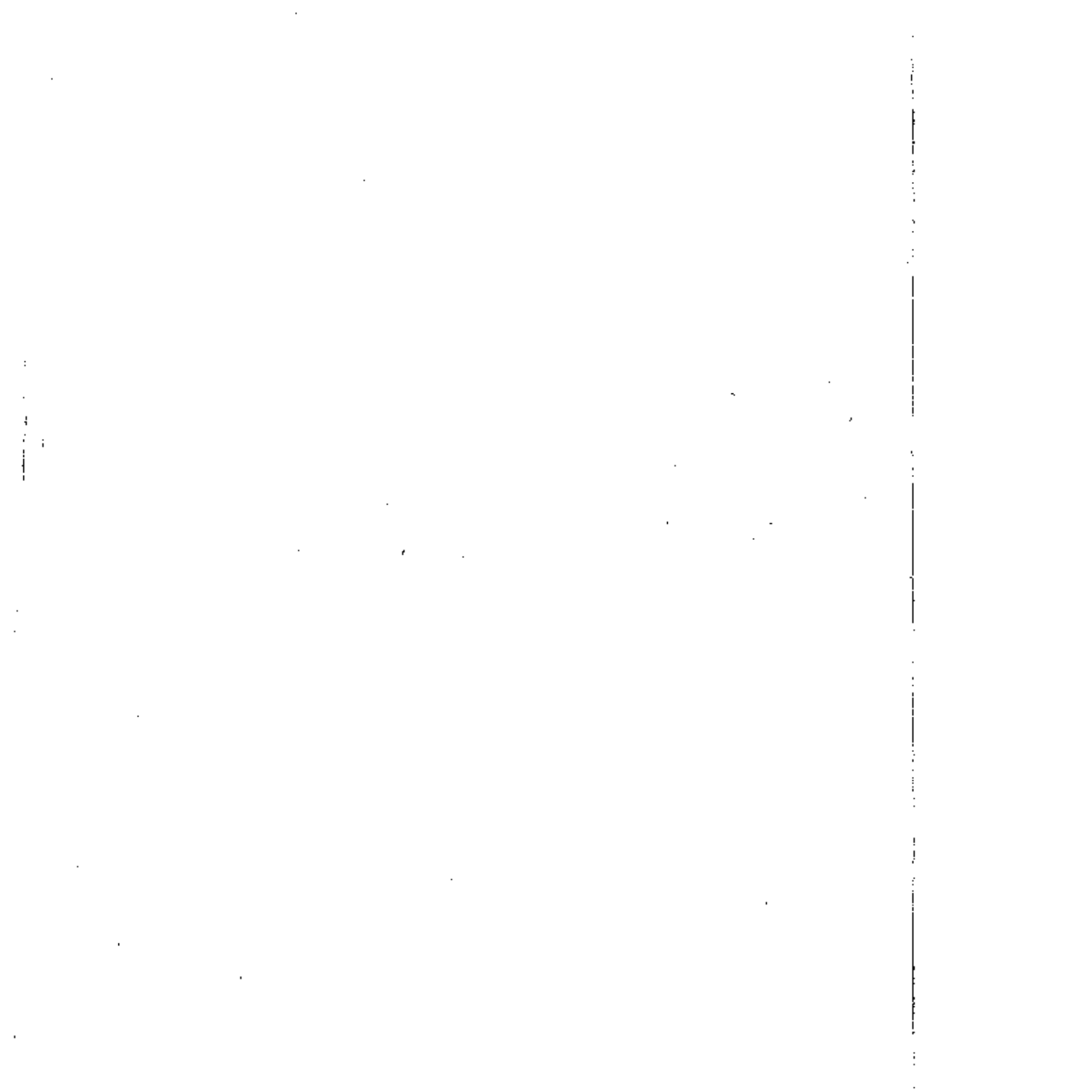
NEW YORK
1115 Broadway
New York 10, N.Y.
BRONX 9-1900

ATLANTA
711 Miami Circle N.E.
Atlanta, Ga.
OSBOR 7-4407

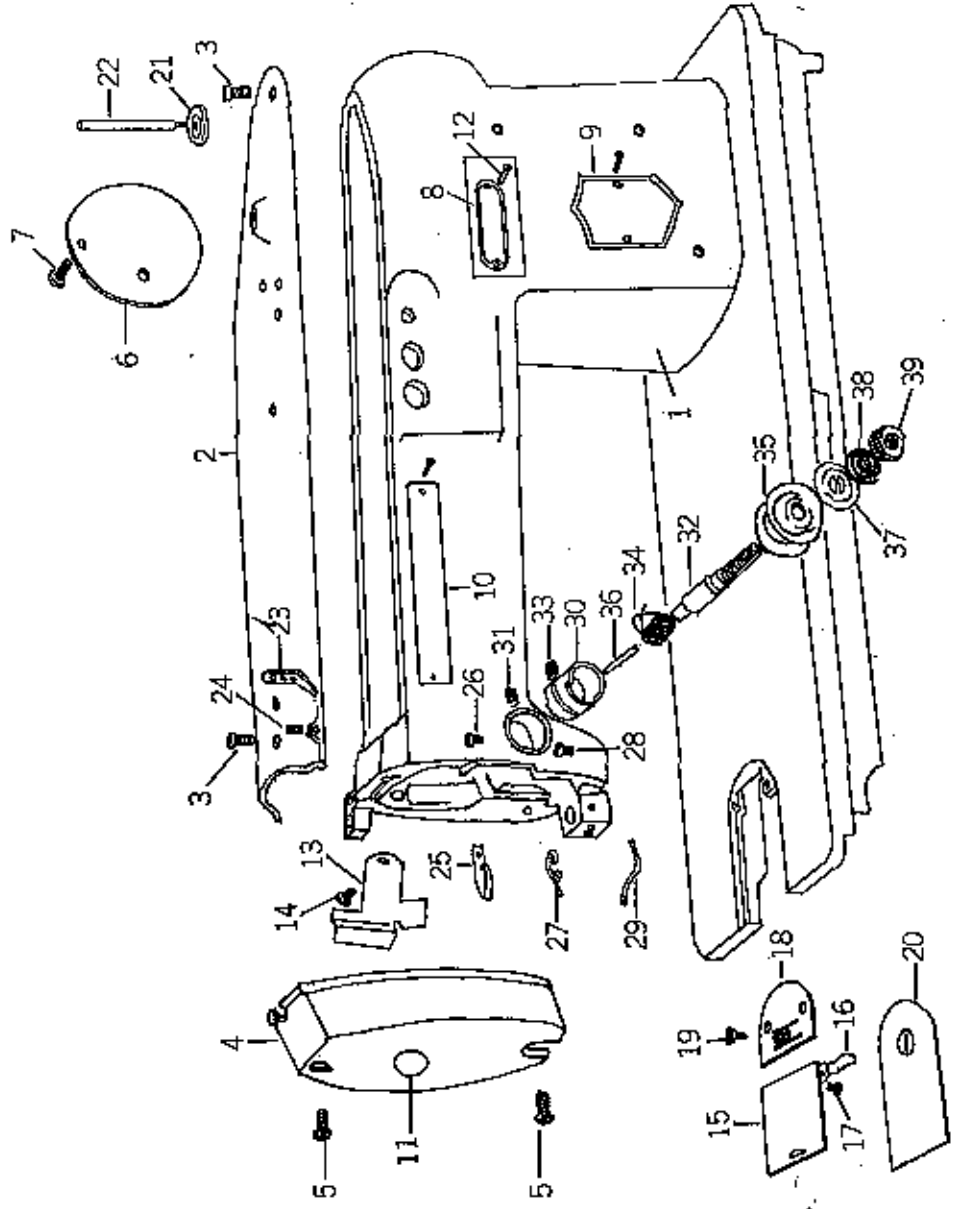
LOS ANGELES
145 E. Jefferson Blvd.
Los Angeles 11, Cal.
LA 4-9106

MONTREAL
6825 St. Lawrence Blvd.
Montreal, Canada
DIXIE 2-2508

CONSOLIDATED SEWING MACHINE CORP.



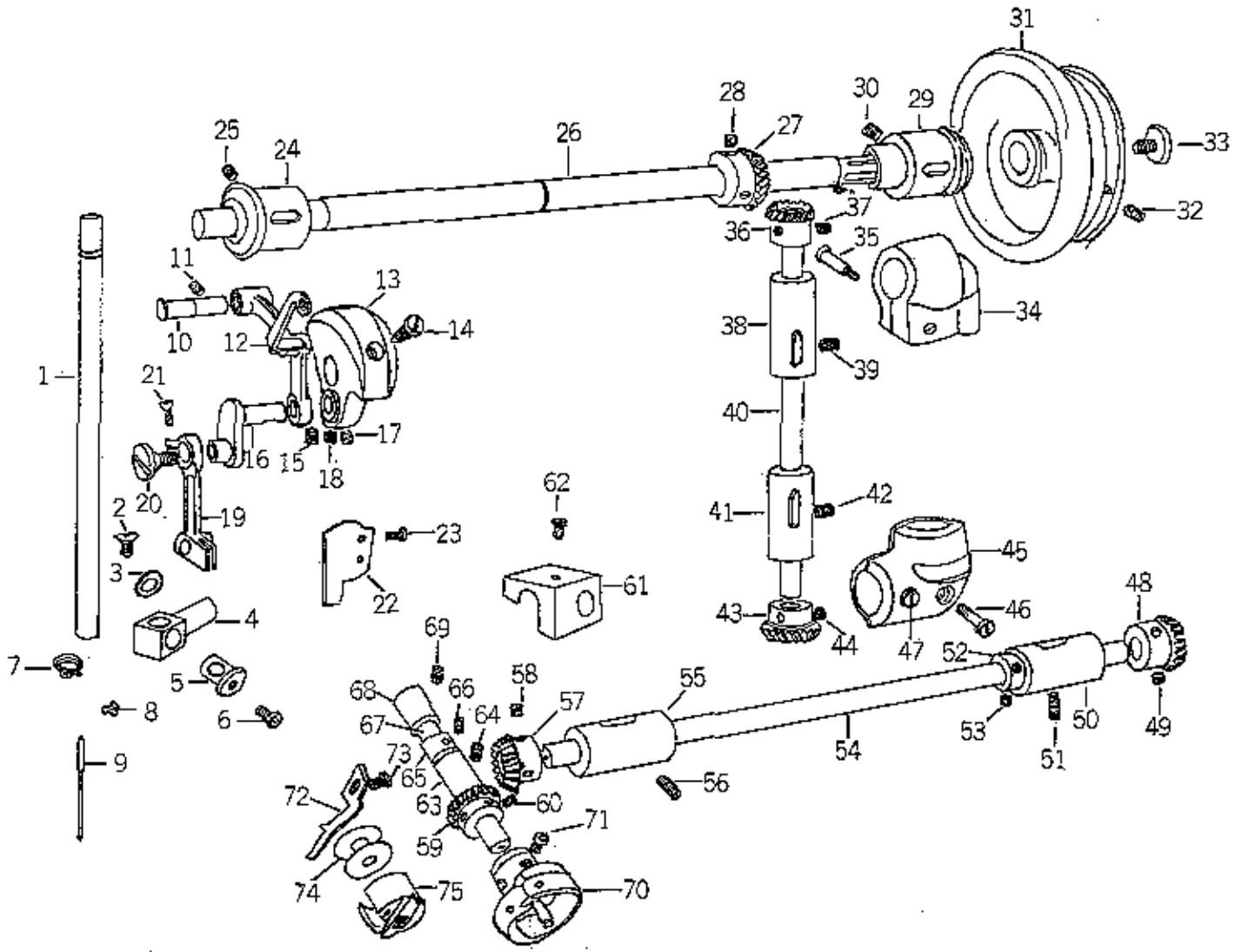
A 图



A 主体及糸通し関係

注 (Annotation)
E = 刺繍 (embroidery)
G = 干鳥 (zigzag)

| 名 | N | A | M | B | 使用回数 | 使用機種 | 類 | 要 |
|-------------|------------------------------------|---|---|---|------|------|-------|---|
| ヘッド(組) | Arm bed complete | | | | 1 | E・G | EA・GA | |
| 上面カバー | Arm top cover | | | | 1 | B・G | EA・GA | |
| 上面カバー糸通し | Arm top cover screw | | | | 2 | E・G | EA・GA | |
| 多シ | Face plate | | | | 1 | E・G | EA・GA | |
| 多シ | Face plate screw | | | | 2 | B・G | EA・GA | |
| 多シ | Arm side cover | | | | 1 | E・G | EA・GA | |
| 多シ | Arm side cover screw | | | | 1 | E・G | EA・GA | |
| プレート | Model plate | | | | 1 | E・G | EA・GA | |
| プレート (7-4) | Mark plate (arm) | | | | 1 | E・G | EA・GA | |
| プレート | Name plate | | | | 1 | E・G | EA・GA | |
| プレート (面板) | Mark plate (face plate) | | | | 1 | E・G | EA・GA | |
| トピン | Plate position pin | | | | 6 | E・G | EA・GA | |
| 板 | Arm side cap | | | | 1 | E・G | EA・GA | |
| 調整ネジ | Arm side cap set screw | | | | 1 | E・G | EA・GA | |
| 多シ | Bed slide | | | | 1 | G | GA | |
| 多シ | Bed slide spring | | | | 1 | G | GA | |
| 多シ | Bed slide spring screw | | | | 2 | G | GA | |
| 多シ | Throat plate (Zigzag) | | | | 1 | G | GA | |
| 多シ | Throat plate screw | | | | 2 | G | GA | |
| 多シ | Throat plate | | | | 1 | E | EA | |
| 台 | Arm spool pin holder base | | | | 1 | E | EA | |
| 糸通し | Arm spool pin | | | | 1 | E | EA | |
| 糸通し | Thread retainer | | | | 1 | E・G | EA・GA | |
| 糸通し | Thread retainer set screw | | | | 1 | E・G | EA・GA | |
| 糸通し (上) | Arm thread guide (upper) | | | | 1 | E・G | EA・GA | |
| 糸通し (上) 締ネジ | Arm thread guide (upper) set screw | | | | 1 | E・G | EA・GA | |



B 針棒天ビン及カマ関係

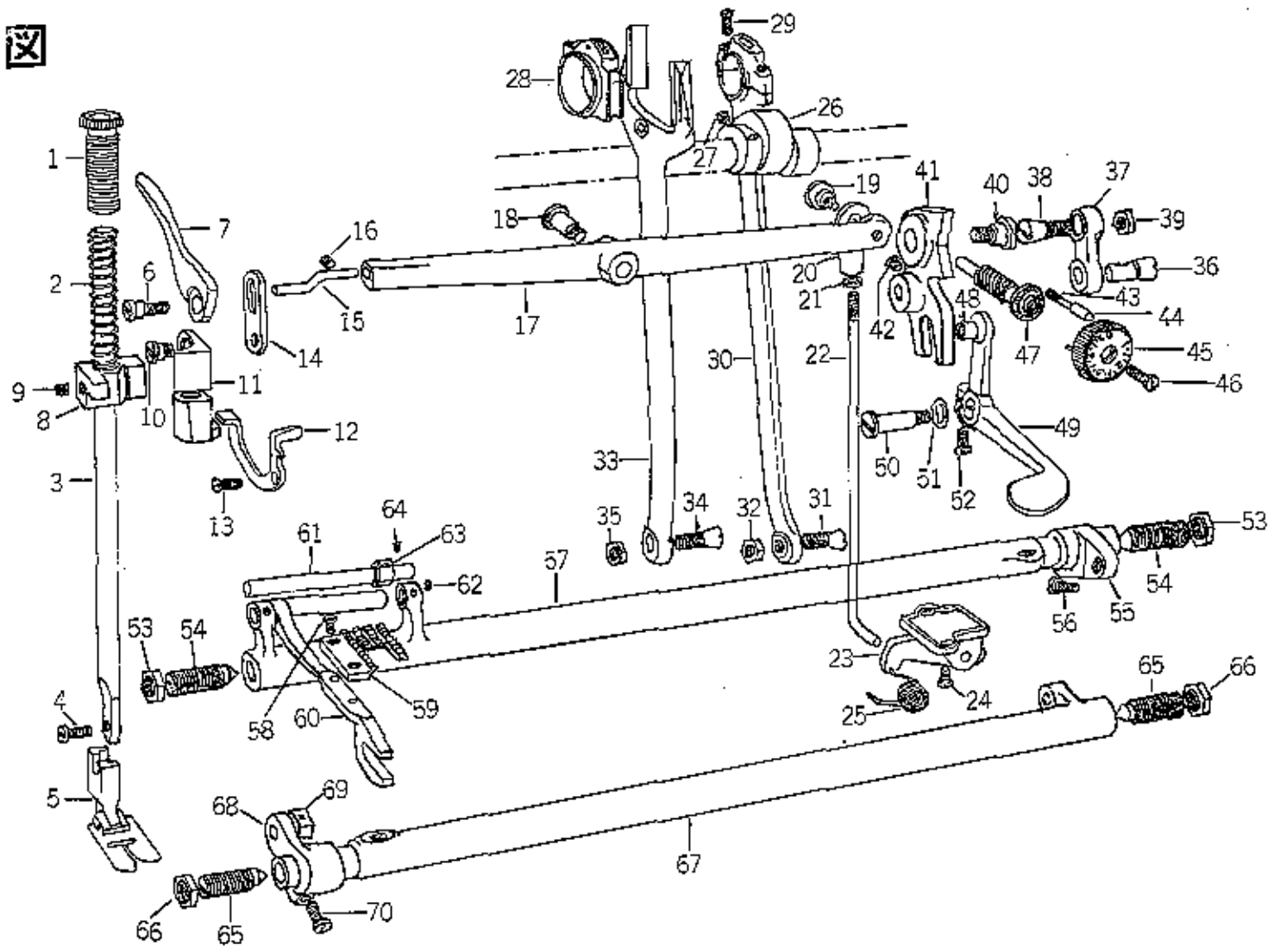
| 品名 | N A M E | 使用枚数 | 使用機種 | 摘要 |
|----------------|--|------|------|-------|
| | Needle bar | 1 | E・G | EA・GA |
| 1支エ座締ネジ | Needle bar connecting stud washer set screw | 1 | E・G | EA・GA |
| 1支エ座 | Needle bar connecting stud washer | 1 | E・G | EA・GA |
| 1支エ | Needle bar connecting stud | 1 | E・G | EA・GA |
| 1 | Needle bar connecting stud swivel | 1 | E・G | EA・GA |
| 1ネジ | Needle bar set screw | 1 | E・G | EA・GA |
| 1掛 | Needle bar thread guard | 1 | E・G | EA・GA |
| 1ネジ | Needle clamp screw | 1 | E・G | EA・GA |
| 1針 | Needle | 1 | E・G | EA・GA |
| 1支エ軸 | Thread take-up lever link hinge pin | 1 | E・G | EA・GA |
| 1支エ軸上ネジ | Thread take-up lever link hinge pin set screw | 1 | E・G | EA・GA |
| 1天ビン (組) | Thread take-up lever | 1 | E・G | EA・GA |
| 1クランク | Thread take-up crank | 1 | E・G | EA・GA |
| 1クランク止ネジ (大) | Thread take-up crank position screw (large) | 1 | E・G | EA・GA |
| 1クランク止ネジ (小) | Thread take-up crank position screw (small) | 1 | E・G | EA・GA |
| 1クランク | Needle bar crank | 1 | E・G | EA・GA |
| 1クランク止ネジ (大) | Needle bar crank position screw (large) | 1 | E・G | EA・GA |
| 1クランク止ネジ (小) | Needle bar crank position screw (small) | 1 | E・G | EA・GA |
| 1クランクロッド | Needle bar connecting link | 1 | E・G | EA・GA |
| 1クランク皿ネジ | Needle bar connecting link screw | 1 | E・G | EA・GA |
| 1クランクロッドネジ | Needle bar connecting link adjusting screw | 1 | E・G | EA・GA |
| 1クランクロッド案内板 | Needle bar connecting link holder | 1 | E・G | EA・GA |
| 1クランクロッド案内板上ネジ | Needle bar connecting link holder screw | 2 | E・G | EA・GA |
| 1タル (左) | Arm shaft (horizontal) bushing (left) | 1 | E・G | EA・GA |
| 1タル (左) 止ネジ | Arm shaft (horizontal), bushing (left) set screw | 1 | E・G | EA・GA |
| | Arm shaft (horizontal) | 1 | E・G | EA・GA |

Ｂ 針 棒 天 ビ ン 及 カ マ 関 係

| 図番号 | 品 名 | N | A | M | E | 使用回数 | 使用機種 | 備 考 |
|------|---------------|---|---|---|---|------|------|-------|
| 1-27 | 上軸歯車 | Arm shaft (horizontal) bevel gear | | | | 1 | E・G | EA-GA |
| 1-28 | 上軸歯車止ネジ | Arm shaft (horizontal) bevel gear set screw | | | | 2 | E・G | EA-GA |
| 1-29 | 上軸メタル (右) | Arm shaft (horizontal) bushing set (right) | | | | 1 | E・G | EA-GA |
| 1-30 | 上軸メタル止ネジ | Arm shaft (horizontal) bushing set screw | | | | 1 | E・G | EA-GA |
| 1-31 | ハズミ車 | Balance wheel | | | | 1 | E・G | EA-GA |
| 1-32 | ハズミ車止ネジ | Balance wheel set screw | | | | 2 | E・G | EA-GA |
| 1-33 | ハズミ車歯ネジ | Arm shaft (horizontal) screw | | | | 1 | E・G | EA-GA |
| 1-34 | 上歯車ケース | Arm shaft (horizontal) bevel gear case | | | | 1 | E・G | EA-GA |
| 1-35 | 上歯車ケース歯ネジ | Arm shaft (horizontal) bevel gear case screw | | | | 1 | E・G | EA-GA |
| 1-36 | 立軸歯車 (上) | Arm shaft (upright) bevel gear (upper) | | | | 1 | E・G | EA-GA |
| 1-37 | 立軸歯車 (上) 止ネジ | Arm shaft (upright) bevel gear (upper) set screw | | | | 2 | E・G | EA-GA |
| 1-38 | 立軸メタル (上) | Arm shaft (upright) bushing (upper) | | | | 1 | E・G | EA-GA |
| 1-39 | 立軸メタル (上) 止ネジ | Arm shaft (upright) bushing (upper) set screw | | | | 1 | E・G | EA-GA |
| 1-40 | 立軸 | Arm shaft (upright) | | | | 1 | E・G | EA-GA |
| 1-41 | 立軸メタル (下) | Arm shaft (upright) bushing (lower) | | | | 1 | E・G | EA-GA |
| 1-42 | 立軸メタル (下) 止ネジ | Arm shaft (upright) bushing (lower) set screw | | | | 1 | E・G | EA-GA |
| 1-43 | 立軸歯車 (下) | Arm shaft (upright) bevel gear (lower) | | | | 1 | E・G | EA-GA |
| 1-44 | 立軸歯車 (下) 止ネジ | Arm shaft (upright) bevel gear (lower) set screw | | | | 2 | E・G | EA-GA |
| 1-45 | 下歯車ケース | Rotating hook shaft bevel gear case | | | | 1 | E・G | EA-GA |
| 1-46 | 下歯車ケース歯ネジ | Rotating hook shaft bevel gear case screw | | | | 1 | E・G | EA-GA |
| 1-47 | 下歯車ケースツマミネジ | Rotating hook shaft bevel gear case plug screw | | | | 1 | E・G | EA-GA |
| 1-48 | 下軸歯車 (右) | Rotating hook driving shaft bevel gear (right) | | | | 1 | E・G | EA-GA |
| 1-49 | 下軸歯車止ネジ | Rotating hook driving gear shaft bevel gear set screw | | | | 2 | E・G | EA-GA |
| 1-50 | 下軸メタル (右) | Rotating hook driving gear shaft bushing (right) | | | | 1 | E・G | EA-GA |
| 1-51 | 下軸メタル (右) 止ネジ | Rotating hook driving shaft bushing (right) set screw | | | | 1 | E・G | EA-GA |
| 1-52 | 下軸カラー | Rotating hook driving gear shaft collar | | | | 1 | E・G | EA-GA |

B 針棒 天ビン及カマ関係

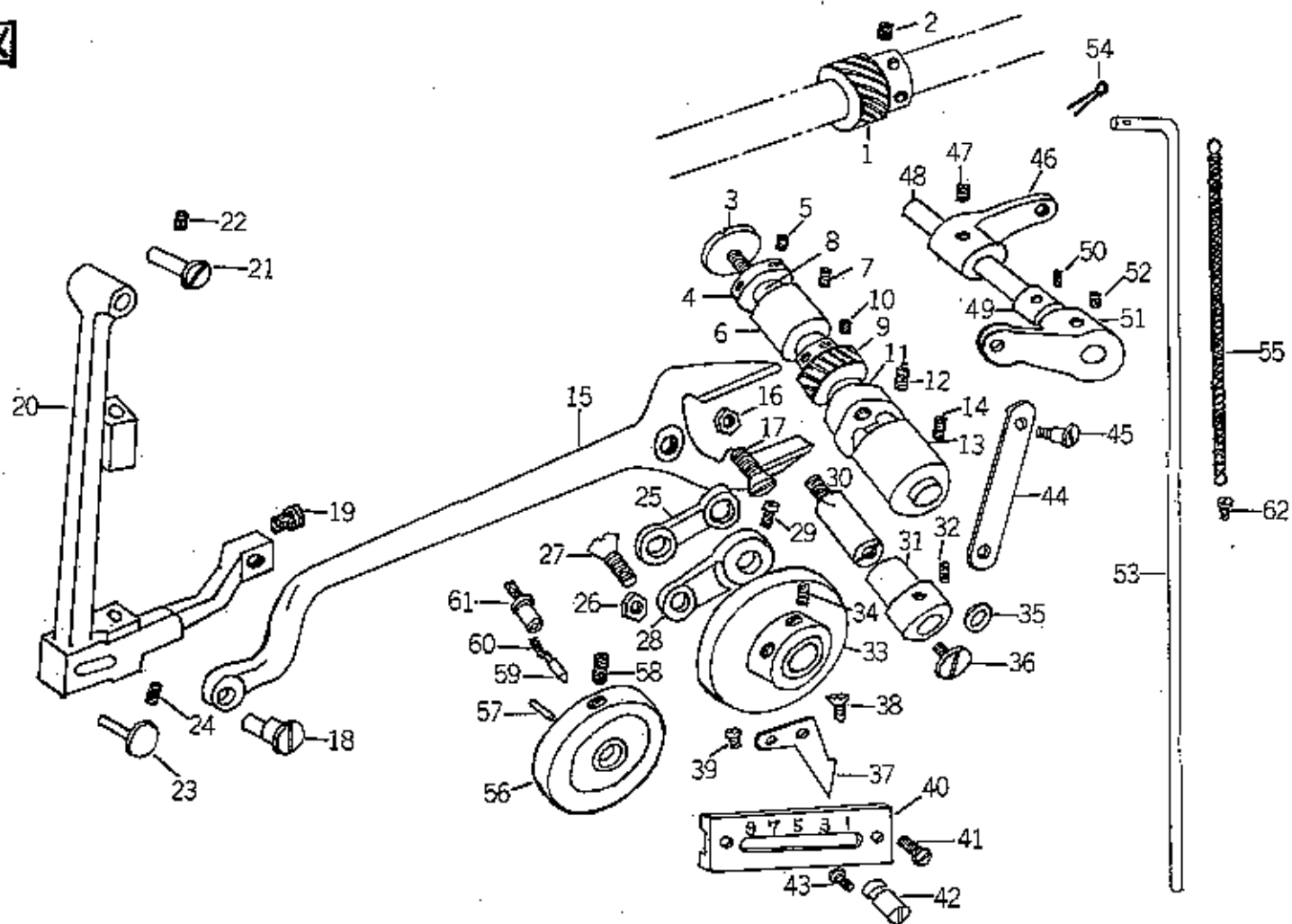
| 品名 | N | A | K | B | 使用台数 | 使用機種 | 備 | 要 |
|-------------|---|---|---|---|------|------|-------|---|
| カマ止ネジ | Rotating hook driving gear shaft collar set screw | | | | 1 | E・G | FA.GA | |
| | Rotating hook driving gear shaft | | | | 1 | E・G | FA.GA | |
| メタル (左) | Rotating hook driving gear shaft bushing (left) | | | | 1 | E・G | FA.GA | |
| | Rotating hook driving gear shaft bushing (left) set screw | | | | 2 | E・G | FA.GA | |
| メタル (左) 止ネジ | Rotating hook driving shaft bevel gear (left) | | | | 1 | E・G | FA.GA | |
| | Rotating hook driving gear shaft bevel gear set screw | | | | 2 | E・G | FA.GA | |
| ニ歯車 | Rotating hook shaft gear | | | | 1 | E・G | FA.GA | |
| ニ歯車止ネジ | Rotating hook shaft gear set screw | | | | 3 | E・G | FA.GA | |
| ニ歯車ケーシング | Rotating hook shaft gear case | | | | 1 | E・G | FA.GA | |
| | Rotating hook shaft gear case set screw | | | | 1 | E・G | FA.GA | |
| メタル (前) | Rotating hook shaft bushing (front) | | | | 1 | E・G | FA.GA | |
| | Rotating hook shaft bushing (front) set screw | | | | 1 | E・G | FA.GA | |
| メタルカマ | Rotating hook shaft bushing collar | | | | 1 | E・G | FA.GA | |
| | Rotating hook shaft bushing collar set screw | | | | 2 | E・G | FA.GA | |
| メタル (後) | Rotating hook shaft | | | | 1 | E・G | FA.GA | |
| | Rotating hook shaft bushing (back) | | | | 1 | E・G | FA.GA | |
| メタル (後) 止ネジ | Rotating hook shaft bushing (back) set screw | | | | 1 | E・G | FA.GA | |
| | Rotating hook complete | | | | 1 | E・G | FA.GA | |
| 止ネジ | Rotating hook set screw | | | | 3 | E・G | FA.GA | |
| 止 | Rotating hook bobbin case holder position bracket | | | | 1 | E・G | FA.GA | |
| 止ネジ | Rotating hook bobbin case holder position bracket screw | | | | 1 | E・G | FA.GA | |
| | Rotating hook bobbin | | | | 1 | E・G | FA.GA | |
| メカース | Rotating hook bobbin case complete | | | | 1 | E・G | FA.GA | |



C 押工及送り関係

| 照番号 | 品名 | N | A | M | E | 使用回数 | 使用機種 | 種 |
|-----|-------------------|---|---|---|--|------|------|----|
| -27 | 送りカム止ネジ | | | | Feed and feed lifting eccentric set screw | 2 | G | GA |
| -28 | 送りカムスリーブ | | | | Feed and feed lifting eccentric sleeve | 1 | G | GA |
| -29 | クランククロット蓋締ネジ | | | | Feed lifting rock shaft connecting rod lid set screw | 2 | G | GA |
| -30 | クランククロット | | | | Feed lifting rock shaft connecting rod | 1 | G | GA |
| -31 | クランククロットテーパーネジ | | | | Feed lifting rock shaft connecting rod hinge screw | 1 | G | GA |
| -32 | クランククロットテーパーネジナット | | | | Feed lifting rock shaft connecting rod hinge screw nut | 1 | G | GA |
| -33 | 二又クロット | | | | Feed forked connection | 1 | G | GA |
| -34 | 水平送り戻子テーパーネジ | | | | Feed forked connection hinge screw | 1 | G | GA |
| -35 | 水平送り戻子テーパーネジナット | | | | Feed forked connection hinge screw nut | 1 | G | GA |
| -36 | 送りリンク軸 | | | | Feed connecting link hinge stud | 1 | G | GA |
| -37 | 送りリンク | | | | Feed connecting link | 1 | G | GA |
| -38 | 送りリンクテーパーネジ | | | | Feed connecting link lower hinge screw | 1 | G | GA |
| -39 | 送りリンクテーパーネジナット | | | | Feed connecting link lower hinge screw nut | 1 | G | GA |
| -40 | 送り調節止ネジ | | | | Feed regulator hinge screw | 1 | G | GA |
| -41 | 戻付送り調節器 | | | | Feed regulator (forked) | 1 | G | GA |
| -42 | 送りリンク止ネジ | | | | Feed connecting link hinge stud set screw | 1 | G | GA |
| -43 | 目盛位置決メピンバネ | | | | Feed regulating stud lock pin spring | 1 | G | GA |
| -44 | 目盛位置決メピン | | | | Feed regulating stud lock pin | 1 | G | GA |
| -45 | 送り目盛板 | | | | Feed regulating stud head | 1 | G | GA |
| -46 | 送り目盛板締ネジ | | | | Feed regulating stud head cap screw | 1 | G | GA |
| -47 | 送り調節ネジ | | | | Feed regulating stud | 1 | G | GA |
| -48 | 送り調節レバーコロ | | | | Feed reverse lever roller (stud) | 1 | G | GA |
| -49 | 送り調節レバー | | | | Feed reverse lever | 1 | G | GA |
| -50 | 送り調節レバー軸 | | | | Feed reverse lever hinge screw | 1 | G | GA |
| -51 | 送り調節レバー軸座金 | | | | Feed reverse lever hinge screw shaft washer | 1 | G | GA |
| -52 | 送り調節レバー締ネジ | | | | Feed reverse lever clamping screw | 1 | G | GA |

D



D 千 鳥 関 係

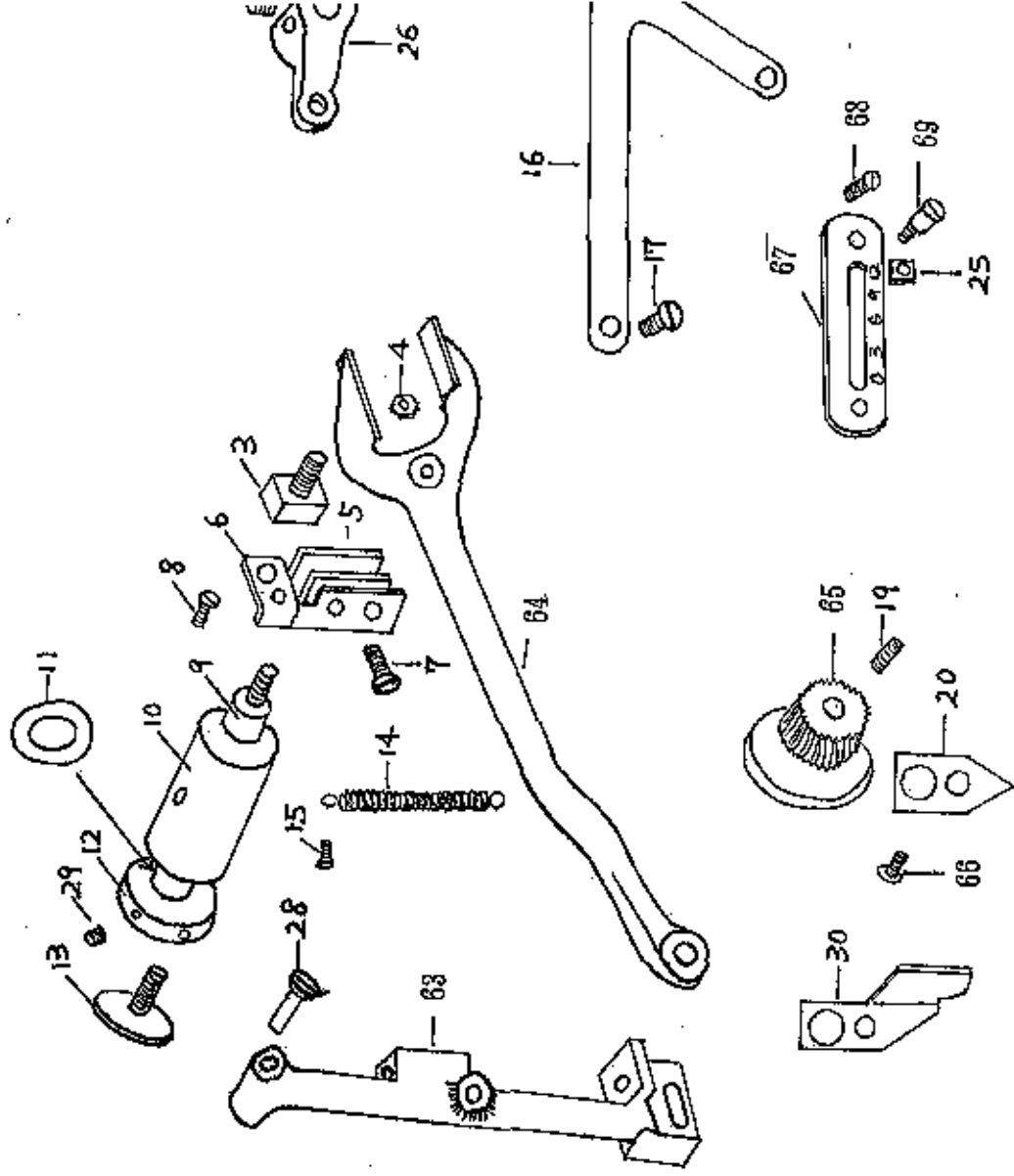
| 名 | N | A | M | B | 使用回数 | 使用機種 | 備 考 |
|-------------|--|---|---|---|------|------|-------|
| 需要 | Needle vibrator pinion | | | | 1 | B・G | FA・GA |
| 振止止ネジ | Needle vibrator pinion set screw | | | | 2 | B・G | FA・GA |
| 持ッネネジ | Needle vibrator cam shaft collar set screw | | | | 1 | B・G | |
| △軸カラー | Needle vibrator cam shaft collar | | | | 1 | B・G | |
| △軸カラー止ネジ | Needle vibrator cam shaft collar set screw | | | | 2 | B・G | |
| △軸メタル(後) | Needle vibrator cam shaft bushing(back) | | | | 1 | B・G | |
| △軸メタル(後)止ネジ | Needle vibrator cam shaft bushing(back) set screw | | | | 1 | B・G | |
| △軸 | Needle vibrator cam shaft | | | | 1 | B・G | |
| 歯車 | Needle vibrator gear | | | | 1 | B・G | |
| 歯車止ネジ | Needle vibrator gear set screw | | | | 2 | B・G | |
| △止ネジ | Needle vibrator cam | | | | 1 | B・G | |
| △止ネジ | Needle vibrator cam set screw | | | | 1 | B・G | |
| △軸メタル(前) | Needle vibrator cam shaft bushing(front) | | | | 1 | B・G | |
| △軸メタル(前)止ネジ | Needle vibrator cam shaft bushing(front) set screw | | | | 1 | B・G | |
| △軸 | Needle bar frame platen | | | | 1 | B・G | |
| △軸 | Needle vibrator crank link hinge screw(light) nut | | | | 1 | B・G | |
| △軸 | Needle vibrator crank link hinge screw(light) | | | | 1 | B・G | |
| △軸 | Needle bar frame platen eccentric stud | | | | 1 | B・G | FA・GA |
| △軸 | Needle bar frame platen eccentric stud set screw | | | | 1 | B・G | |
| △軸 | Needle bar frame | | | | 1 | B・G | |
| △軸 | Needle bar frame hinge stud | | | | 1 | B・G | FA・GA |
| △軸止ネジ | Needle bar frame hinge stud set screw | | | | 1 | B・G | FA・GA |
| △軸 | Needle bar frame guide stud | | | | 1 | B・G | FA・GA |
| △軸 | Needle bar frame guide stud set screw | | | | 1 | B・G | FA・GA |
| △軸 | Needle vibrator crank link | | | | 1 | B・G | |
| △軸 | Needle vibrator crank link hinge screw(light) nut | | | | 1 | B・G | |

D 千 鳥 関 係

| 照番号 | 品 名 | N | A | M | E | 使用回数 | 使用機種 | 商 |
|-----|-----------------|---|---|---|---|------|------|-------|
| -27 | 針振リンクテーパーネジ | | | | | 1 | E・G | |
| -28 | 針振クランク | | | | | 1 | E・G | |
| -29 | 針振クランク止ネジ | | | | | 1 | E・G | |
| -30 | 針振クランク軸 | | | | | 1 | E・G | |
| -31 | 針振クランク軸メタル | | | | | 1 | E・G | |
| -32 | 針振クランク軸メタル止ネジ | | | | | 1 | E・G | |
| -33 | 針振ダイヤル(刺線) | | | | | 1 | E | |
| -34 | 針振ダイヤル(刺線)止ネジ | | | | | 2 | E | |
| -35 | 針振ダイヤル(刺線)止ネジ合金 | | | | | 1 | E | |
| -36 | ダイヤル押工端ネジ | | | | | 1 | E | |
| -37 | 針振指針 | | | | | 1 | E | |
| -38 | 針振指針端ネジ(大) | | | | | 1 | E | |
| -39 | 針振指針端ネジ(小) | | | | | 1 | E | |
| -40 | 針振目盛板 | | | | | 1 | E | |
| -41 | 針振目盛板端ネジ | | | | | 2 | E | |
| -42 | 針振ストッパー | | | | | 2 | E | |
| -43 | 針振ストッパー端ネジ | | | | | 2 | E | |
| -44 | 針振連動リンク | | | | | 1 | E | |
| -45 | 針振連動リンク止ネジ | | | | | 2 | E | |
| -46 | 針振連動クランク(後) | | | | | 1 | E | EA |
| -47 | 針振連動クランク(後)止ネジ | | | | | 2 | E | EA |
| -48 | 針振軸 | | | | | 1 | E | EA・GA |
| -49 | 針振軸カラー | | | | | 1 | E | GA |
| -50 | 針振軸カラー止ネジ | | | | | 1 | E | GA |
| -51 | 針振連動クランク(前) | | | | | 1 | E | |
| -52 | 針振連動クランク(前)止ネジ | | | | | 2 | E | |

新型部品

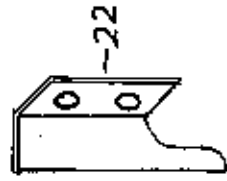
D 図



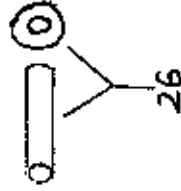
A 図



B 図



C 図



| 品名 | N | A | M | E | 使用数量 | 使用機種 | 備 | 要 |
|----------------|---|---|---|---|------|-------|---|---|
| 針とナット | Thread guard | | | | 1 組 | EA・GA | | |
| 針クランクロウ下案内板 | Needle bar connecting link hol | | | | 1 | EA・GA | | |
| 上げバーシヤフト | Presser bar lifter shaft | | | | 1 | GA | | |
| 上げバーシヤフトクランクカー | Presser bar lifter shaft washer | | | | 1 | GA | | |
| 枠 | Needle bar frame | | | | 1 | EA・GA | | |
| クランク | Needle bar frame pitman | | | | 1 | EA・GA | | |
| 玉 | Slide block | | | | 1 | EA・GA | | |
| ナット | Slide block nut | | | | 1 | EA・GA | | |
| 調整節箱 | Needle vibrator box | | | | 1 | EA・GA | | |
| クランク | Needle vibrator crank link bar | | | | 1 | EA・GA | | |
| クランク台止ネジ | Needle vibrator crank link bar set screw | | | | 2 | EA・GA | | |
| 上げバー止ネジ | Needle vibrator spring set screw | | | | 1 | EA・GA | | |
| 軸 | Needle vibrator shaft | | | | 1 | EA・GA | | |
| バネタル | Needle vibrator bushing | | | | 1 | EA・GA | | |
| 金 | Spring washer | | | | 1 | EA・GA | | |
| 軸カラー | Needle vibrator shaft collar | | | | 1 | EA・GA | | |
| 軸カラー押え | Needle vibrator shaft collar cap screw | | | | 1 | EA・GA | | |
| クランク引バネ | Needle bar frame pitman spring | | | | 1 | EA・GA | | |
| クランク引バネ止ネジ | Needle bar frame pitman spring set screw | | | | 1 | EA・GA | | |
| クランク | Needle vibrator crank link | | | | 1 | EA・GA | | |
| クランク止ネジ | Needle vibrator crank link set screw | | | | 2 | EA・GA | | |
| クランク | Needle vibrator knob | | | | 1 | EA・GA | | |
| クランク止ネジ | Needle vibrator knob set screw | | | | 1 | EA・GA | | |
| 指示針 | Needle vibrator stop index finger | | | | 1 | EA・GA | | |
| 指示針止ネジ | Needle vibrator stop index finger set screw | | | | 1 | EA・GA | | |
| 目盛板 | Needle vibrator stop segment | | | | 1 | EA・GA | | |

| 図番号 | 品名 | N | A | M | B | 使用回数 | 使用機種 |
|-----|--------------|---|---|---|---|------|-------|
| 68 | 針筒自感取止ネジ | | | | | 2 | EA-GA |
| 69 | 針筒入トッパ | | | | | 2 | EA-GA |
| 25 | 針筒入トッパ取止ネジ | | | | | 2 | EA-GA |
| 26 | 針筒運動クランク | | | | | 1 | EA-GA |
| 27 | 針筒運動クランク取止ネジ | | | | | 1 | EA-GA |
| 28 | 針筒取止クランク取止ネジ | | | | | 1 | EA-GA |
| 29 | 針筒軸カラー取止ネジ | | | | | 2 | EA-GA |
| 30 | 針筒指針 | | | | | 1 | GA |

